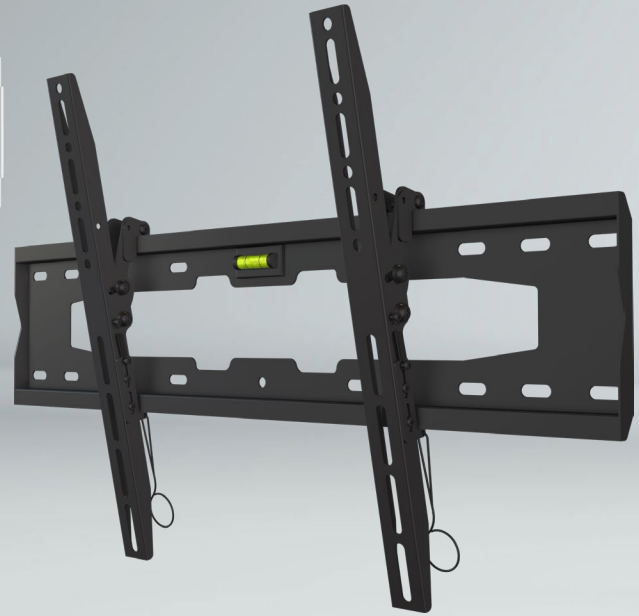


MPTH-L64U Tilting Wall Mount

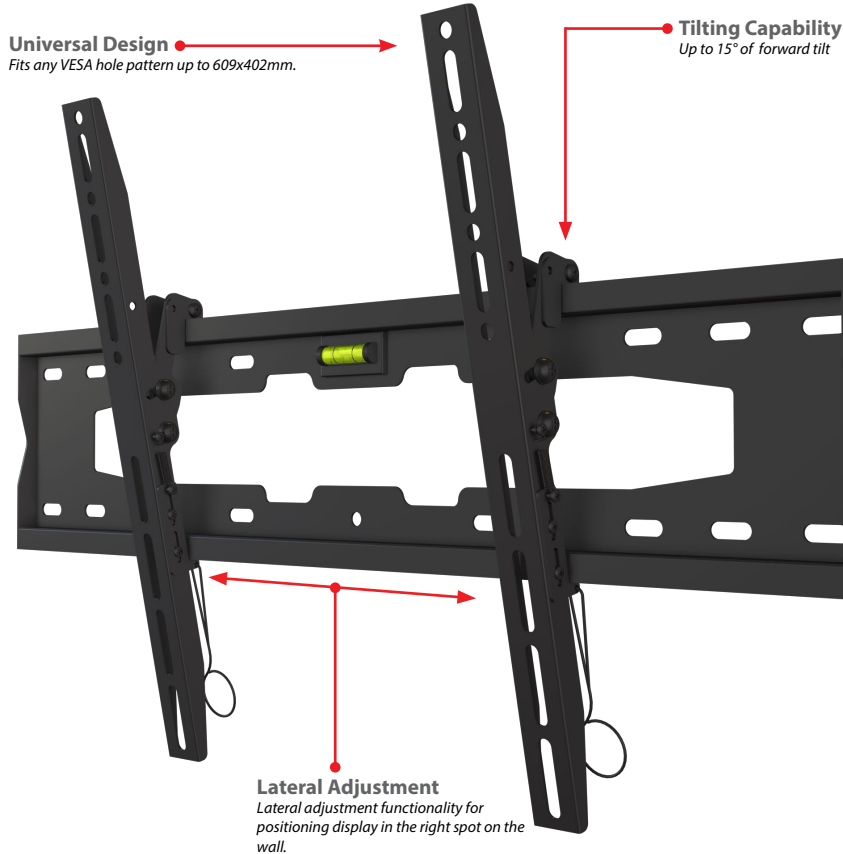
Universal Mount For 32"-75" Displays

Best In Class Flat Wall Mount Solution

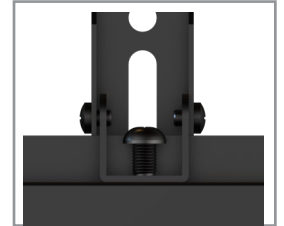
- Universal design
- VESA compatible
- Up to 15° of smooth tilt adjustment for perfect viewing angle
- Slim design holding display only 1.40" from the wall
- Post installation display leveling without use of tools
- Integrated cable management for clean look
- Pre-sorted hardware pack for easy installation to wood studs or concrete surfaces included



Display Size	Max VESA	Total Load
32" - 75"	600x402mm	100lb



Low-profile design
Engineered to hold displays closely to their mounting surfaces, the WTA64 is a mere 1.4" in depth.



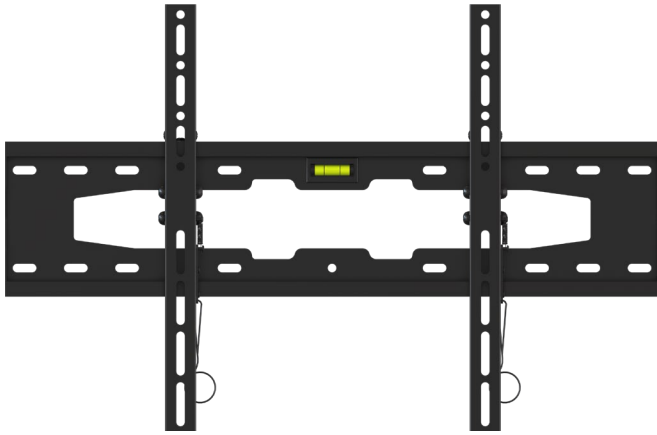
Post-Installation Leveling Screws
Pre-assembled leveling screws allow for easy display adjustment after installation.



Mounting Hardware
Complete set of display mounting hardware, labeled for ease of use and ready to go.

MPTH-L64U Tilting Wall Mount

For 32"-75" displays



Attribute	Value
Display size	32" - 75"
Weight capacity	100lb
Max mounting pattern	609x402mm
Depth from wall	1.40"
Tilt	15°
Construction	Aluminum/high-grade cold rolled steel
Product finish	Scratch resistant epoxy powder coat
Color	Black
Product Weight	3.8 lb
Shipping Weight	4.6 lb
Warranty	Limited lifetime

Universal tilting wall mount for 32" to 75" flat panel screens. Up to +15° forward tilt and -12.5° backward tilt for easy access to rear of displays. Secure installation is quick and easy using the integrated level for perfect positioning and pre-sorted hardware. Open wall plate design provides easy access to wiring.

