

MPT-M44VADAv2 Component Box Wall Mount

Universal Mount for 36-65" Displays*

Best in Class Mounting Solution

- VESA compatible
- Designed to hold a wide variety of components
- Protects components from unwanted tampering
- Large pass through openings for wire connections to the display
- Low-profile, holds all components close to wall for a clean look
- Pre-sorted hardware for easy installation



SKU	Display Size*	Max VESA	Depth	Max Load
MPT-M44VADAv2	26"-55"	400x400mm	1.25"	150 lb

* Display size is ment as a guide – Compatible display sizes can be larger or smaller depending on the VESA and weight of the display.



Low Profile Design

The MPT-M44VADAv2 holds display a meer 1.25 inches from the wall



Hold Components

Designed to hold a wide verity of displays as well as securely hold tv components.



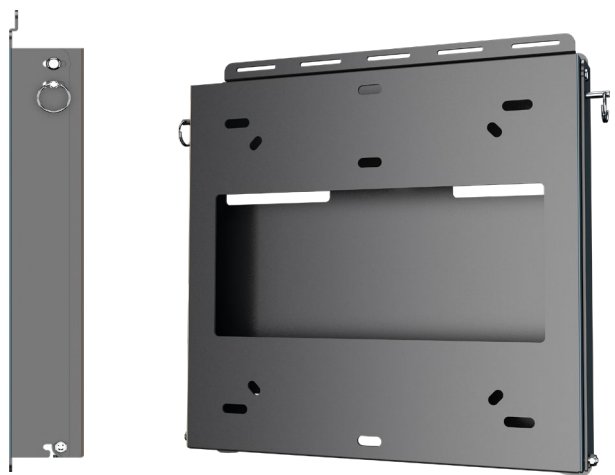
Mounting Hardware

Complete set of mounting hardware, labeled for ease of use and ready to go.



MPT-M44VADAv2 Component Box Wall

Designed for 46"-65" displays



Attribute	Value
Display size*	36" - 65"
Orientation	Varies with display
Weight capacity	80 lb
Max mounting pattern	446x402mm
Min mounting pattern	200x200mm
VESA mounting patterns	200-200mm through 400x400mm
Depth from wall	1.25"
Construction	High-grade cold rolled steel
Product finish	Scratch resistant epoxy powder coat
Color	Black
Model number	MPT-M44VADAv2
Warranty	5 year limited

Adjustable component wall mount with Universal hole pattern (400x400mm) to fit a wide selection of flat panel displays. Makes a secure installation quick and easy. Designed to securely hold a wide variety of components. Securing capabilities ensure additional theft deterrent. Large pass through openings for wire connections to the display. Protects components from unwanted tampering.

