

# MPSD-L26U-STRETCH Dual Portrait Floor Stand

## For 86" LG Stretch Display

### Portrait Orientation Floor Stand Compatible with LG 86" Stretch Displays

- Height adjustable for perfect display placement
- Pin locking incremental tilt adjustment
- Ultra flat base designed for high traffic areas
- Compatible with displays up to 150 lb and with VESA pattern up to 200 x 600mm
- Integrated cable management for a clean look



#### ADJUSTABLE HEIGHT

##### *Continuous Adjustment*

Fully adjustable height allows for perfect display placement.



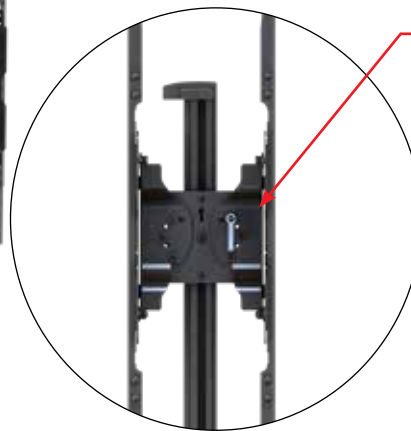
#### DUAL HANGING PLATES

*Back-to-Back screens allow for Maximum Exposure*

#### LOCKABLE TILT

*0°, 5° and 10°*

Pin locking incremental tilt for ideal viewing angles



#### FLAT BASE

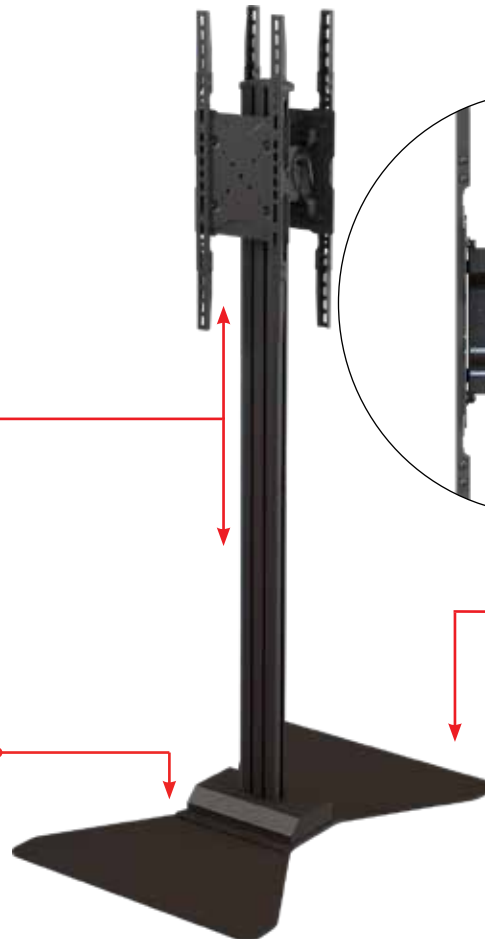
*Heavy Duty but Flat*

Only a quarter of an inch thick solid steel base minimizes the possibility of a tripping hazard.

#### INTEGRATED CABLE MANAGEMENT

##### *Cable Management at Base*

Integrated cable management at the base of the stand allows for a clean look and an uncluttered base area



# MPSD-L26U-STRETCH Portrait Floor Stand For 86" LG Stretch Display



Attribute	Value
Recommended display size*	32" - 86"
Orientation	Portrait
Weight capacity	150lb (68kg)
Max mounting pattern	200x672mm
Min mounting pattern	200x200mm
VESA mounting patterns	200x200mm, 200x300mm, 200x400mm, 200x600mm
Tilt	Locking incremental
Packaging Dimensions	Multiple boxes
Shipping weight	Multiple boxes
Construction	High-grade cold rolled steel and aluminum
Product finish	Scratch resistant epoxy powder coat
Color	Black
Model number	MPSD-L26U-STRETCH
Warranty	5 year limited

Designed for the LG ultra stretch 86" display (86BH5C), the MPSD-L26U-STRETCH includes universal mounting brackets to handle up to a 200mm wide by 600mm tall VESA pattern. Features an ultra flat base that is perfect for high traffic areas, and continuous height adjustment.

