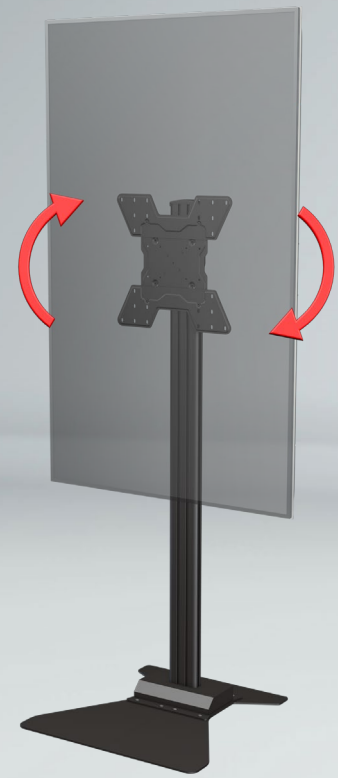


MPS-M44V-LPF Adjustable Height Floor Stand

Designed For Displays Up To 32"-55"

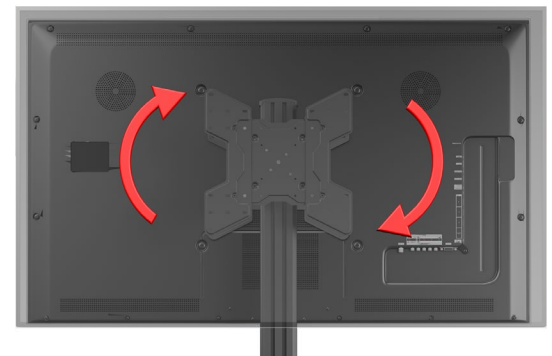
Best In Class Floor Stand Mounting Solution

- VESA compatible up to 400x400mm
- Vertical position adjustment for perfect viewing height
- Adapter allows for post-installation display rotation from landscape to portrait orientation
- Locking incremental tilt adjustment
- Ultra flat base designed for high traffic areas
- Integrated cable management for clean look
- Pre-sorted hardware pack for easy installation



Model	Display Size*	VESA	Max Height	Max Load
MPS-M44V-LPF	32" - 55"	400x400mm	67.34"	150lb

* Display size is meant as a guide – Compatible display sizes can be larger or smaller depending on the VESA and weight of the display.



POST INSTALLATION ROTATION

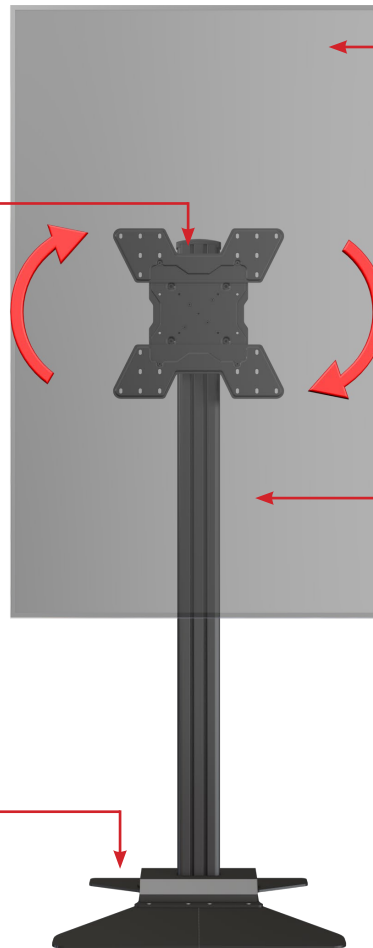
Landscape to Portrait

An adapter allows for easy post-installation display rotation to either portrait or landscape orientation

CONTINUOUS TILT

+15/-5 Degrees Tilt

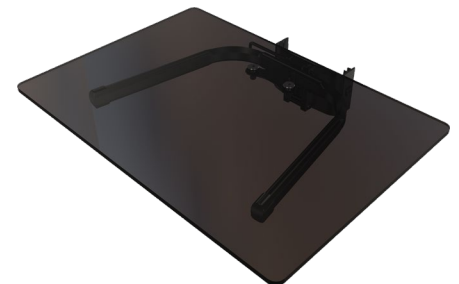
Mounting plate has continuous tilt of up +15°/-5° for ideal display placement.



OPTIONAL SHELVING ACCESSORY

Adjustable Tempered Glass or Metal Shelf

Optional attachable shelf that supports up to 50lbs of additional components.



ULTRA SLIM BASE

Heavy Duty but Ultra Slim

Designed for high-traffic areas, the heavy duty base is ultra-slim, minimizing the risk of tripping while also maximizing stability and safety.

MPS-M44V-LPF Adjustable Floor Stand

Universal design for 32" - 55" displays*



Attribute	Value
Recommended display size *	32" - 55"
Weight capacity	150lb (54kg)
Max mounting pattern	400x400mm
Min mounting pattern	75mmx75mm
Orientation	landscape or portrait
Tilt	+15°/-5°
Max display height	67.34"
Construction	high-grade cold rolled steel
Product finish	scratch resistant epoxy powder coat
Color	black
Model number	MPS-M44V-LPF
Warranty	5 year limited

Heavy duty construction makes this stand ideal for Plasma, LCD or LED displays weighing up to 150 lb. Fits all VESA hole patterns through 400x400mm in either landscape or portrait orientation. Flat, stationary base is perfect for high traffic areas. Vertically adjustable tempered glass or metal shelf (sold separately) can be easily installed or removed without removing display.

