

# MPS-L75U-G Adjustable Floor Stand With Glass Shelf

## For Displays Up To 150 lbs

### Best In Class Floor Stand Mounting Solution

- Universal design
- VESA compatible
- Continuous vertical position adjustment for perfect viewing height
- Pin-locking incremental tilt adjustment
- Heavy-duty rubber casters for smooth mobility
- Glass component shelves easily attach after display is installed
- Integrated cable management for clean look
- Pre-sorted hardware pack for easy installation



Model	Display Size*	VESA	Max Height	Max Load
MPS-L75U-G	37" - 70"	723x501mm	65"	150lb

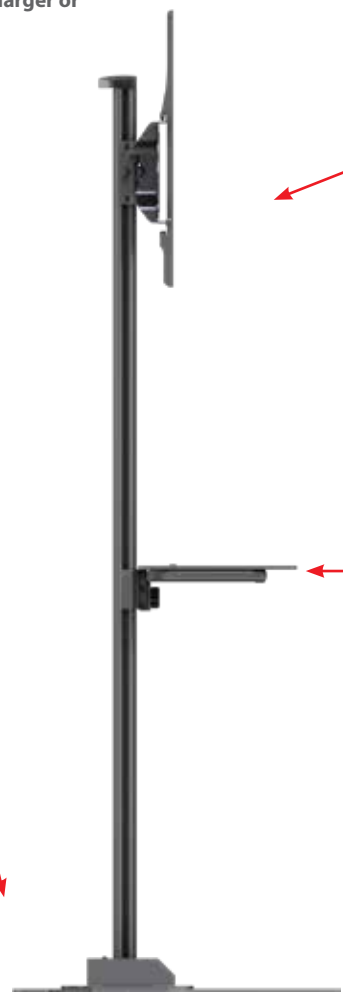
\* Display size is meant as a guide – Compatible display sizes can be larger or smaller depending on the VESA and weight of the display.



#### HEAVY DUTY STAND

##### *Low Profile Heavy Duty Stand*

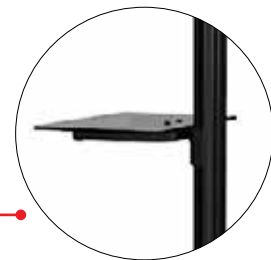
Heavy duty flat base designed for high traffic areas.



#### CONTINUOUS TILT

##### *+15/-5 Degree Tilt*

The mounting plate has continuous tilt of up +15/-5 degree for ideal display placement.



#### SHELVING ACCESSORY

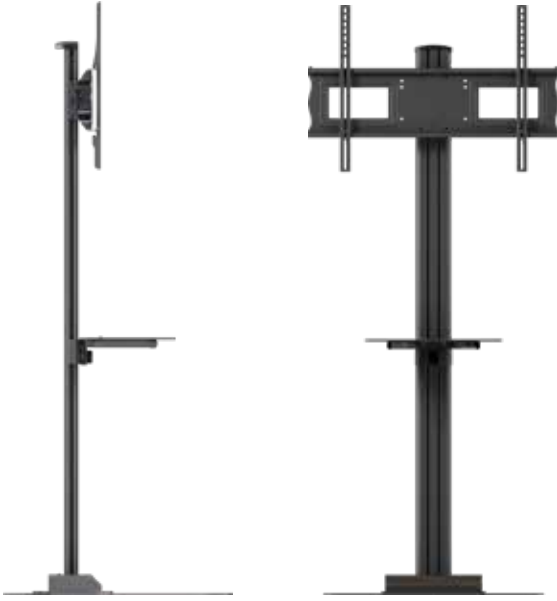
##### *Adjustable Tempered Glass Shelf*

Designed with a glass attachable shelf the MPS-L75U-G can support up to 50lbs of additional components.

# MPS-L75U-G Adjustable Height & Tilt Floor Stand

Mustang AV  
www.mustangav.com

Universal design for 37" - 70"+ displays\*  
Glass shelf included



Attribute	Value
Recommended display size*	37" - 70"
Weight capacity	150lb (54kg) per display
Max mounting pattern	723 x 501mm
Min mounting pattern	75x75mm
Orientation	landscape or portrait
Tilt	+15°/-5°
Max display height	65" (middle of display)
Construction	high-grade cold rolled steel
Product finish	scratch resistant epoxy powder coat
Color	black
Model number	MPS-L75U-G
Warranty	5 year limited

Floor stand with glass shelf for 37" to 70" displays. Universal design and heavy duty construction makes this stand ideal for Plasma, LCD or LED displays weighing up to 150 lb. Flat, stationary base is perfect for high traffic areas. Vertically adjustable metal shelf can be easily installed or removed without removing display.

