

# MPM-X85U-LTZ

## BalanceBox Height Adjustable Display Cart

for Displays 50" - 90"

### Height Adjustment with Spring-Weight Technology

- Displays easily glide up and down with up to 15.75" of height adjustment
- Supports heavy displays up to 200+ lbs
- Lockable incremental tilt adjustment up to 15°
- Heavy duty lockable casters for smooth mobility and easy transportation through standard doorways
- Comes with 2 adjustable shelving units. Shelving can mount to the front, rear, or sides of the cart

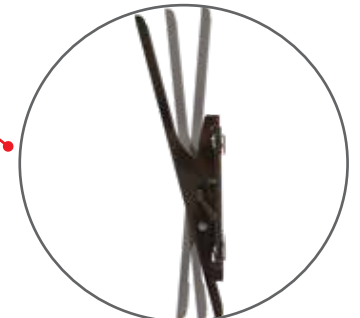


SKU	Display Size	VESA	Max Height	Max Load
MPM-X85U-LTZ	50-90"	800x500	72.56"	209 lbs

### CONTINUOUS TILT

**+15/-5 Degrees Tilt**

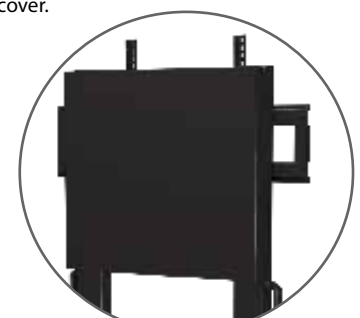
Mounting plate has continuous tilt of up +15°/-5° for ideal screen placement.



### BACK PANEL COVER

**Easily Installed Panel Cover**

Designed with tilting vertical brackets, back panel and cover.



### HEAVY DUTY CASTERS

**Smooth Movement with Little Effort**

Designed for durability, the heavy duty lockable rubber casters make moving locations a simple task, and ensure that the cart stays firmly in place when locked.



# MPM-X85U-LTZ

## BalanceBox Height Adjustable Mobile Cart

For displays 50" - 90"



Attribute	Value
Display size range	50" - 90"
Weight capacity	209 lbs (94.80kg)
Max mounting pattern	800mmx500mm
Min mounting pattern	300x300mm
Number of displays	One
Vertical adjustment	Downward vertical adjustment to 15.75"
Orientation	Landscape
Tilt	+15°/-5° with incremental tilt lock
Construction	Aluminum/high-grade cold rolled steel
Product finish	Scratch resistant epoxy powder coat
Color	Black
Model number	MPM-X85U-LTZ
Warranty	5 year limited

The perfect solution for interactive learning centers, collaborative work spaces, training sessions, business presentations, and board rooms. BalanceBox spring-weight technology allows even heavy displays to smoothly glide up and down the MPM-X85UB mobile cart with just a light touch. No tools are needed to keep the display precisely in place, and displays have up to 15.75" (400mm) of vertical adjustment.

