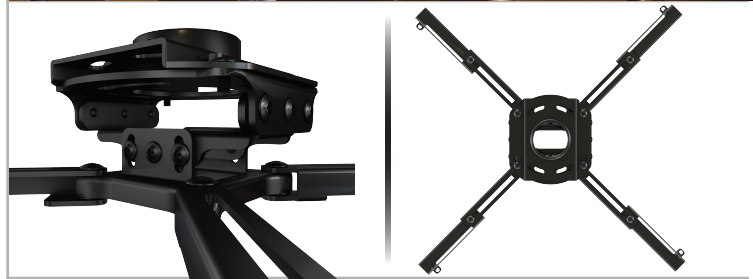
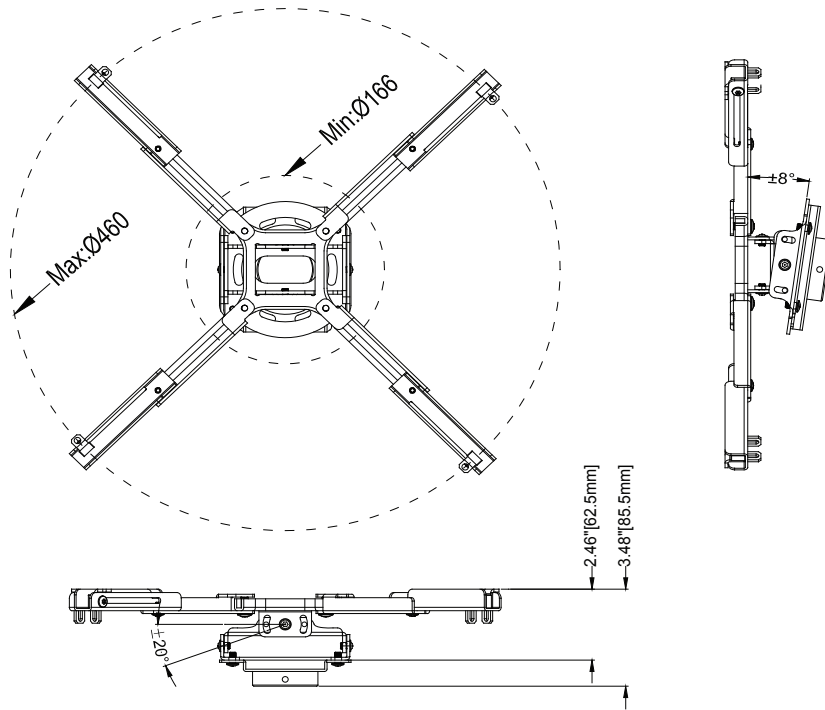


MPJ-2



All projector mounts are compatible with Mustang AV's complete assortment of ceiling adapters and extension pipes. For a complete solution, select the appropriate pipe length and ceiling adapter.



Heavy duty all steel construction in a very low profile package. Multiple (12) adjustment points for extra grip with heavier or off-center of gravity projectors. Comes completely pre-assembled for a quick installation and features a quick release for bulb replacement.

#### ■ Installation

Installs to any structure with 1.5" NTP thread. Two-piece design for easy installation via a click in place quick release. A total of 12 adjustment points, 6 for pitch and 6 for roll to ensure that projector is in place and does not slip post install.

MSRP: **\$117.00**

Load: **70lb**

Pitch: **+/-20°**

Roll: **+/-8°**

Yaw: **360°**

Diameter: **460mm**

Rotation: **360°**

Micro Adjust: **No**

#### ■ Universal

Universal Design fits hole patterns up to 380MM diameter. Legs are pre-assembled for quick attachment to the projector.

#### ■ Quick Release

Quick release allows easy removal for bulb replacement without losing picture adjustments.