




Professional Solutions - Unrivalled Value

Universal ceiling mount for projectors weighing up to 50 lb. Built-in roll, pitch and yaw adjustments make alignment fast and easy. Quick release mechanism allows projector to be easily removed for service. Compatible with all 1.5" NPT threaded pipe.

 50 LB / 22.7 kg

■ Universal Sizes

Universal ceiling mount for projectors weighing up to 50 lb.

■ Pre-assembled

Completely pre-assembled mounting interface for quick installation.

■ Easy Access

Quick release mechanism allows for easy service of projector.

■ Fully Adjustable

Roll($\pm 6^\circ$), pitch($\pm 25^\circ$) and yaw(360°) adjustments with standard screwdriver.

■ Compatibility

Compatible with all 1.5" NPT threaded pipe.

■ Color Choices

Available in 3 colors: Black, Silver and White.

Functional Specifications

Roll: $\pm 6^\circ$

Pitch: $\pm 25^\circ$

Yaw: 360°

Mounting Surfaces: 1.5" NPT Threaded connection.

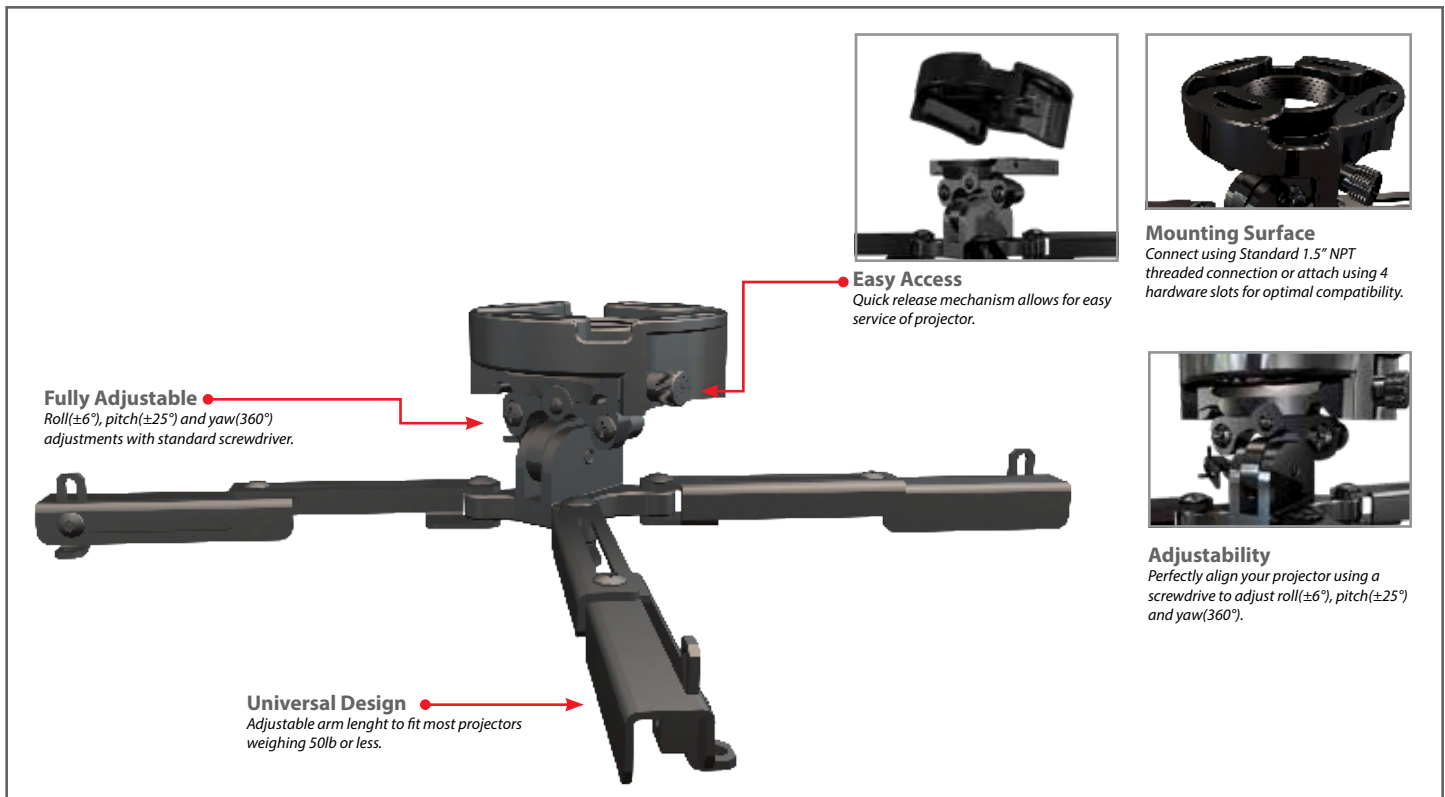
Max Mounting Pattern:

430mm (16.92") width

430mm (16.92") height

Load Capacity: 50 LB / 28 KG

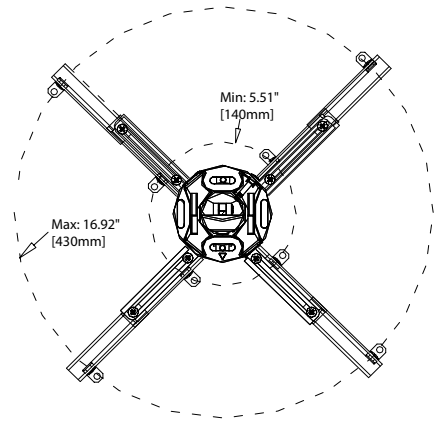
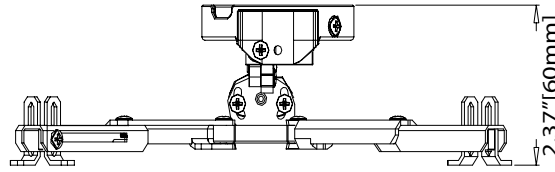
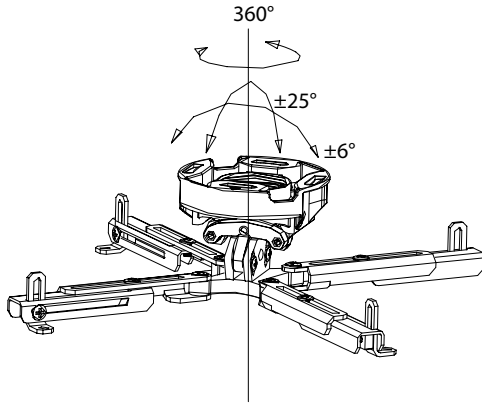
Warranty: Limited 10 Years



Universal Projector Mount

Fits most projectors weighing 50lb or less

MPJ-1 (BLACK)
MPJ-1S (SILVER)
MPJ-1W (WHITE)

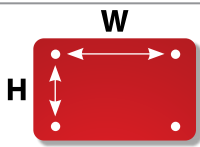


Product Specifications

Package Specifications

PRODUCT WEIGHT	LOAD CAPACITY	COLORS	FINISH	PACKAGE SIZE (WxHxD)	SHIP WEIGHT	PART NUMBER	PACKAGE CONTENTS
2.2 lb (1 Kg)	50 lb (23 Kg)	Black Silver White	Scratch resistant powder coating	11.4" x 4.5" x 3.5" (290 x 114 x 89 mm)	2.8 lb (1.3kg)	MPJ-1 MPJ-1S MPJ-1W	Projector mount, mounting hardware, product manual.

Mounting Interface



Max Mounting Pattern
 430mm (W) x 430mm (H)

W 140mm 430mm
 X X
 H 140mm 430mm

Accessories

Suspended Ceiling Adapter



MPJ-1KS

For mounting above a false ceiling tile. 13" of lateral shift for fast project adjustment. Compatible with all 1.5" NTP threaded pipe.

Structural Ceiling Adapters



MPCA-1

Wood Single Joist / Concrete



MPCA-2

Wood 16" Double Joist / Concrete



MPCA-4

General Purpose 4x4"



MPCA-8

General Purpose 8x8"

Truss Ceiling Adapter



MPCA-TRUSS

Mounts to round, square and rectangular trusses from .75" up to 3" in diameter and is compatible with all 1.5" NTP threaded pipe.

Vaulted Ceiling Adapters



MPCA-V1

For installation on cathedral or vaulted ceilings. Adjusts up to 94° and is compatible with all 1.5" NTP threaded pipe

Unistrut Ceiling Adapters



MPCA-UNIS

Bracket and hardware for mounting to single 1-5/8"x1-5/8" Unistrut



MPCA-UNID225

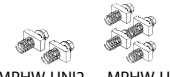
Bracket and hardware (4x4) for mounting to standard 1-5/8"x1-5/8" dual channels spaced on 2.25" centers.



MPCA-UNID625

Bracket and hardware (8x8) for mounting to standard 1-5/8"x1-5/8" dual channels spaced on 6" centers.

Unistrut Bolts



MPHW-UNI2 (2 Bolts)

MPHW-UNI4 (4 Bolts)

3/8" bolts and spring nuts for mounting ceiling brackets to standard 1-5/8"x1-5/8" Unistrut.

Fixed Columns

Static ceiling columns for use with all ceiling adapters using standard 1.5" NTP interfaces. Connectors (sold separately) give ability to extend drop lengths by connecting two or more columns. Cable management with a completely open interior.



BLACK	DROP
MPE-06	6"
MPE-1	12"
MPE-1W	12"
MPE-018	18"
MPE-2	2'
MPE-3	3'
MPE-4	4'
MPE-5	5'
MPE-6	6'
MPE-7	7'
MPE-8	8'
MPE-9	9'
MPE-10	10'

Adjustable Columns

Adjustable extension columns designed for use with all ceiling adapters using standard 1.5" NTP interfaces. Column allows for flexibility with quick 1" incremental drop length adjustments and cable management with a completely open interior. Connectors (sold separately) give ability to extend drop lengths by connecting two or more columns.



BLACK	DROP
MPEA-0611	6"-11"
MPEA-01218	12"-18"
MPEA-01824	18"-24"
MPEA-23	2'-3"
MPEA-24	2'-4"
MPEA-35	3'-5"
MPEA-46	4'-6"
MPEA-57	5'-7"
MPEA-68	6'-8"
MPEA-79	7'-9"
MPEA-810	8'-10"
MPEA-911	9'-11"
MPEA-1012	10'-12"