

MPFP-L46UA Flat Wall Mount In Portrait Orientation

Universal mount for 37-75" displays*

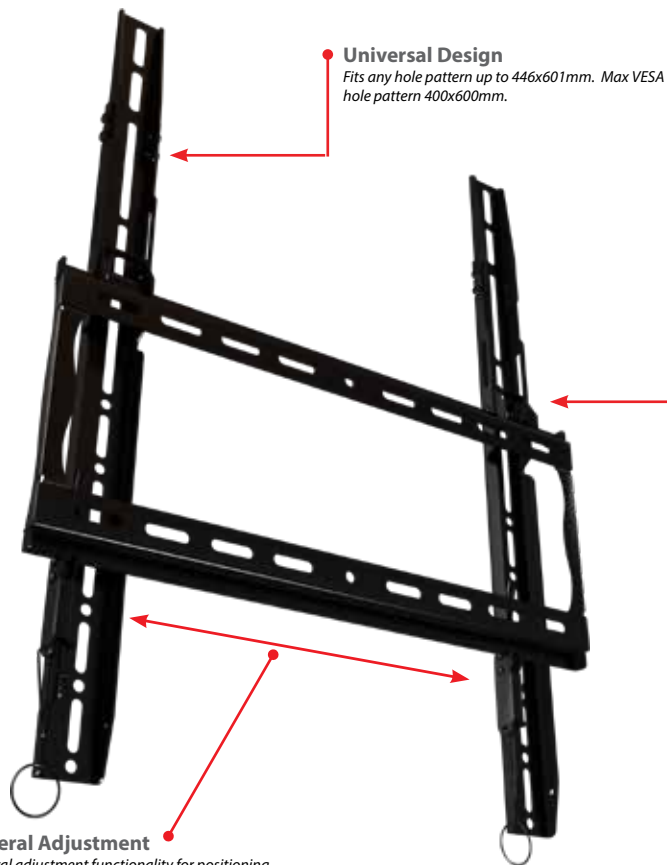
Best in Class Flat Wall Mounting Solution

- Universal design
- VESA compatible
- Portrait orientation
- Low-profile, holds display close to wall for a clean look
- Open wall plate allows easy access for wiring
- Lateral shift for perfect placement
- Pre-sorted hardware pack for easy installation



SKU	Depth Size*	Max VESA	Depth	Max Load
MPFP-L46UA	37" - 75"	400 x 600mm	1.4"	150lb

* Display size is meant as a guide – Compatible display sizes can be larger or smaller depending on the VESA and weight of the display.



Universal Design
Fits any hole pattern up to 446x601mm. Max VESA hole pattern 400x600mm.

Lateral Adjustment
Lateral adjustment functionality for positioning display in the right spot on the wall.

Built-in Kickstand
Kickstand holds display away from wall for easy cord installation.



Pre-Installed Securing Screws
Easy hook and secure installation and pre-assembled securing screws makes installation fast and easy.



Mounting Hardware
Complete set of display mounting hardware, labeled for ease of use and ready to go.

MPFP-L46U Flat Wall Mount In Portrait Orientation

Universal mount for 37-75" displays*

Mustang AV
www.mustangav.com



Attribute	Value
Recommended Display Size*	37" - 75"
Weight capacity	150lbs (68kg)
Max mounting pattern	400x600mm
Min mounting pattern	75x75mm
Lateral adjustment	Varies with display
Depth	1.4" (35.6mm)
Construction	High-grade cold rolled steel
Model Number	MPFP-L46U
Color	Black
Warranty	5 year limited
Product Weight	6.8lb (1.3kg)

Universal flat wall mount in portrait orientation for 37" to 75" displays. Adjustable flat wall mount in portrait orientation with Universal hole pattern to fit a wide selection of displays. Makes a secure installation quick and easy, simply hang the display and turn the pre-assembled securing screw to lock in place. Open wall plate design and kickstand feature provides easy access to wiring.

