

Mustang Professional Desktop Mounting Solutions

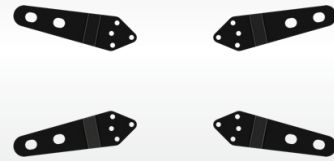
Best In Class Desktop Mounting Solutions

- Mounting plate design is VESA Compatible for displays and monitors up to 100 x 100mm
- Full motion tilt up to 30° forward and 90° backward provides ability to find the best view
- Easy fingertip adjustment: tilt of the screens and leveling requires minimal effort
- Up to 90° of side to side roll for perfect screen adjustment

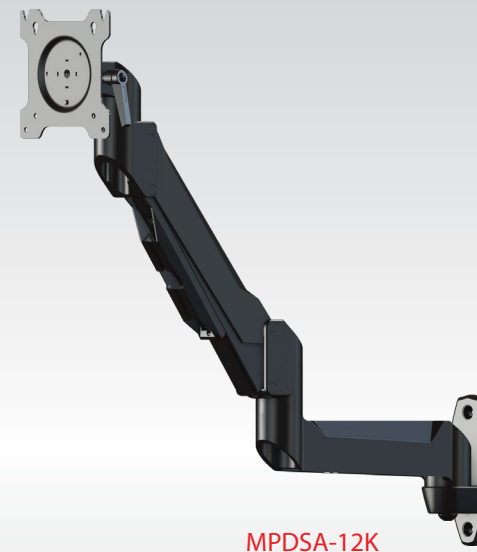
MPAD-22 VESA Extender Accessory

100x100mm to 200x200mm adapter extender

VESA plate adapter that extends existing 100x100mm adapters to achieve 200x200mm hole pattern in landscape or portrait view.



MPDSA-11K



MPDSA-12K



MPDSA-21K



MPDSA-22K

Full Motion Desktop Mounting Solution Kits

The MPDSA Series arms are a sleek and stylish solution that deliver perfect landscape or portrait-oriented monitor positioning while freeing up valuable workspace. Choose from a multitude of configurations to fit any need.

There are two key elements that make the MPDSA's unique. First, the spring is heavy duty and adjustable. This allows these arms to handle a load from 5lb through 30lb, the widest range on the market. Second, MPDSA's allow you to lock down both, the tilt, as well as the landscape to portrait rotation of each monitor.

Ability to handle a heavier load and lock tilt and rotation, makes the MPDSA's a great solution for high use areas, such as a busy restaurant kitchen, where a lesser solution may sag or loosen over time. This is also key for applications where additional components must be mounted along side the monitor, which increase the overall load and possibility of sag.

Multipile Base Configurations Included In Kits

Maximize your MPDSA's usability by including four different mounting accessories that allows the MPDSA's to applicable for any desktop mouting application.



(Clamp/Wall)



(Flush Mount)



(Through-Hole)



(Pole Mount)

- Heavy duty spring adjusts from 5lb through 30lb loads
- Locking tilt and rotation suitable for high traffic applications
- Versatile, mounts to virtually any surface
- Base options included: flat surface, edge clip/wall, through-hole or pole/racking

Desktop Stands

VESA Free Standing Monitor Stands

With 75x75mm & 100x100mm VESA screen adapter for single and dual monitors.



MPDS-S11V-LPF



MPDSH-S11V



MPDS-S22V-LPF



MPDSV-S11V

Universal Free Standing Large Display Stands

Heavy duty stand with Universal screen adapter. Ideal for large displays which are sold without a stand or as a replacement for the original. Stands hold monitors weighing up to 200lb. Free standing base for perfect monitor placement.



Universal Single Monitor Stands

Model	Max Mounting Pattern	Min Mounting Pattern	Max display weight	Screen Size
MPDS-L75U	723x501mm	300x200mm	150lb	32" - 55"
MPDS-X75U	665x601mm	300x200mm,	150lb	32" - 84"+

Model	Display Size	Min Mounting Pattern	Max Mounting Pattern	Max Weight per Display	Base Configurations	Tilt
MPDSA-11K Single Link Single Display:	10" - 32"	75x75mm	100x100mm	30lb	Full Kit	+30°/-90°
MPDSA-12K Dual Link Single Display:	10" - 32"	75x75mm	100x100mm	30lb	Full Kit	+30°/-90°
MPDSA-21K Single Link Dual Display:	10" - 32"	75x75mm	100x100mm	30lb	Full Kitv	+30°/-90°
MPDSA-22K Dual Link Dual Display:	10" - 32"	75x75mm	100x100mm	30lb	Edge Clip / Wall	+30°/-90°