

MPCQ-M44V Ceiling Mount Quad Display System

Designed for 32-75" displays*

Best In Class Ceiling Mount Solution

- Pre-assembled components are easily bolted together
- System ships in standard boxes, not requiring special shipping and handling arrangements or charges
- 360° of post-installation lockable rotation of entire system
- Lockable rotation of each screen (limited only by size of display) for flexible configuration angles
- VESA compatible
- Up to 20° of pin-locking incremental tilt adjustment
- Post installation display leveling without use of tools
- Pre-sorted hardware pack for easy installation



SKU	Display Size*	Max VESA	Rotation	Max Load
MPCQ-M44V	32" - 75"	400x400mm	360°	100lb

* Display size is meant as a guide – Compatible display sizes can be larger or smaller depending on the VESA and weight of the display.

VESA Compatible
Compatible with 200x200mm, 300x200mm, 300x300mm, 400x300mm and 400x400mm.

Post-Install Leveling
Designed with post-install display leveling without the use of tools.

Tilt
20° tilt for optimal viewing angles.V

Mounting Hardware
Complete set of mounting hardware, labeled for ease of use and ready to go.

MPCQ-M44V Ceiling Mount Quad Display System

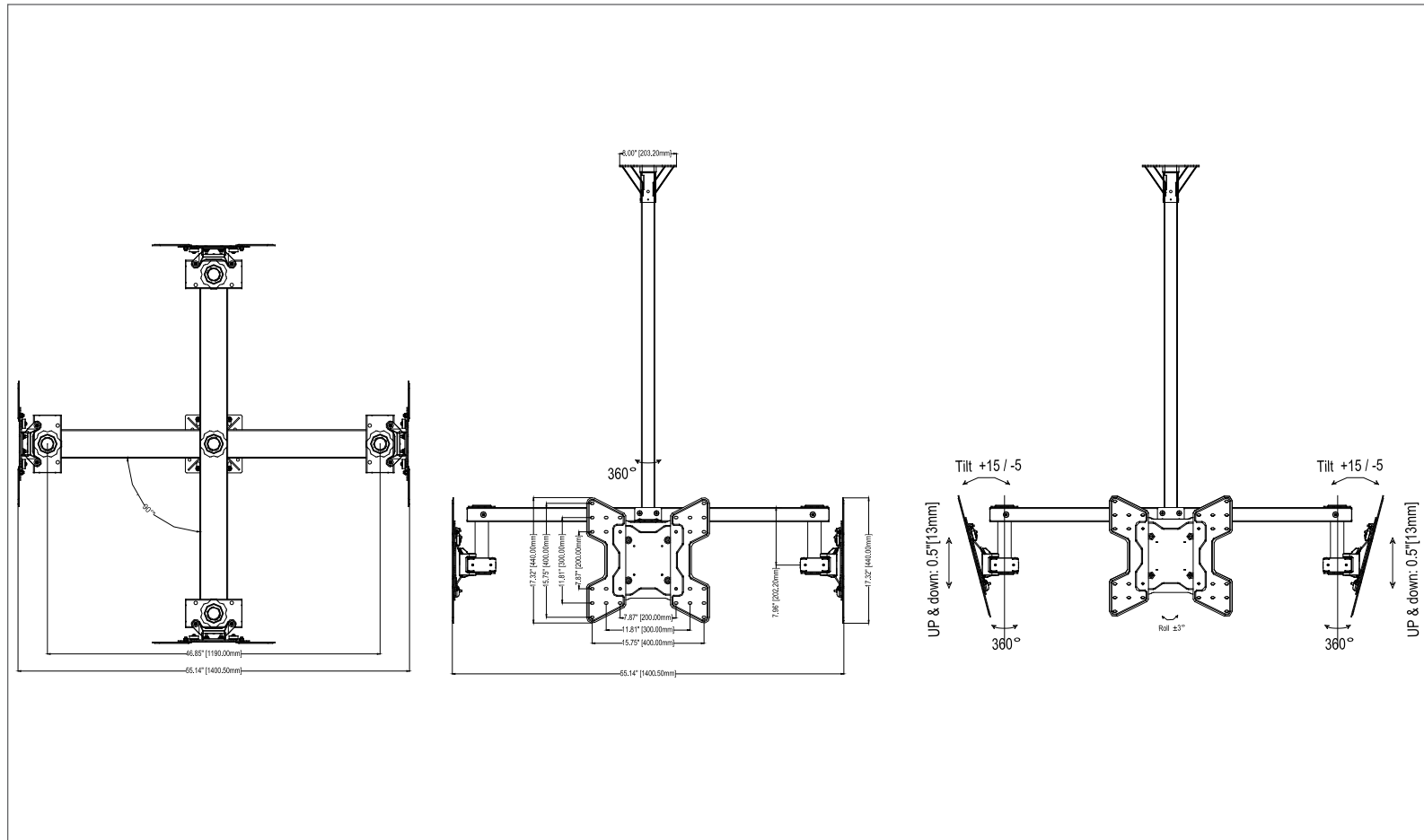
Designed for 32-75" displays*

Mustang AV
www.mustangav.com



Attribute	Value
Recommended Display size*	32" - 75"
Weight capacity	100lb (45kg) per display
Max mounting pattern	400x400mm
Min mounting pattern	200x200mm
Rotation	360°
Tilt	+15°/-5°
Mounting interface	1.5" NPT thread compatible
Role (side to side)	6° tool less screen leveling
Construction	High-grade cold rolled steel
Part number	MPCQ-M44V
Product Weight	136lb (61.7kg)
Color	Black
Warranty	5 year limited

A complete hardware kit for mounting 4 displays from the ceiling. Includes all hardware required for installation (with exception of ceiling bolts). Comes complete with a 10' pipe drop and a heavy duty ceiling adapter for structural or Unistrut mounting. Features through-column cord management and lockable rotation of entire system or individual display post installation.



Pipes and Connectors

Featuring standard 1.5" thread interface

800-398-5652



MPE-SERIES PIPE	
Model	Drop Length
MPE-06 / W	6"
MPE-1 / W	12"
MPE-018	18"
MPE-2	2'
MPE-3	3'
MPE-4	4'
MPE-5	5'
MPE-6	6'
MPE-7	7'
MPE-8	8'
MPE-9	9'
MPE-10	10'

MPEA-SERIES PIPE	
Model	Drop Length
MPEA-0611 / W	6" - 11"
MPEA-01218	12" - 18"
MPEA-01824	18" - 24"
MPEA-23	2' - 3'
MPEA-24	2' - 4'
MPEA-35	3' - 5'
MPEA-46	4' - 6'
MPEA-68	6' - 8'
MPEA-810	8' - 10'
MPEA-1012	10' - 12'

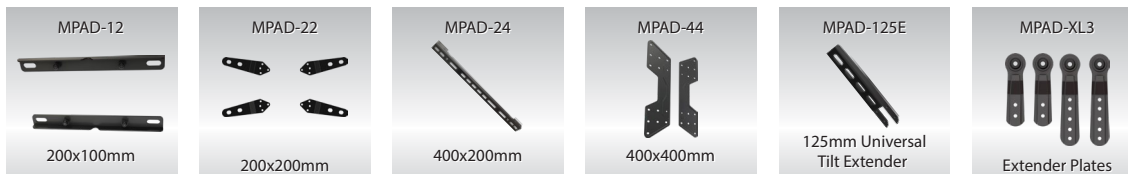
Ceiling Adapters

Featuring standard 1.5" thread interface



*Available with Unistrut hardware : MPCA-UNIS (MPCA-1), MPCA-UNID225 (MPCA-4), MPCA-UNID625 (MPCA-8)

VESA Adapter Extenders



Other Accessories

