

MPCQ-L75U Ceiling Mount Quad Display System

Designed for 37-70" displays*

Best In Class Ceiling Mount Solution

- Pre-assembled components are easily bolted together
- System ships in standard boxes, not requiring special shipping and handling arrangements or charges
- 360° of post-installation lockable rotation of entire system
- Lockable rotation of each screen (limited only by size of TV) for flexible configuration angles
- Up to 20° of pin-locking incremental tilt adjustment
- Post installation display leveling without use of tools
- Pre-sorted hardware pack for easy installation
- Universal VESA compatible



SKU	Display Size*	Max VESA	Rotation	Max Load
MPCQ-L75U	37" - 70"	600x400mm	360°	125lb

* Display size is meant as a guide – Compatible display sizes can be larger or smaller depending on the VESA and weight of the display.

VESA Compatible
Compatible with 75x7mm, 100x100mm, 200x100mm, 200x200mm, 300x200mm, 300x300mm, 400x300mm and 400x400mm, 600x200mm 600x400mm.

Post-Install Leveling
Designed with post-install display leveling without the use of tools.

Tilt
20° tilt for optimal viewing angles.V

Mounting Hardware
Complete set of mounting hardware, labeled for ease of use and ready to go.

MPCQ-L75U Ceiling Mount Quad Display System

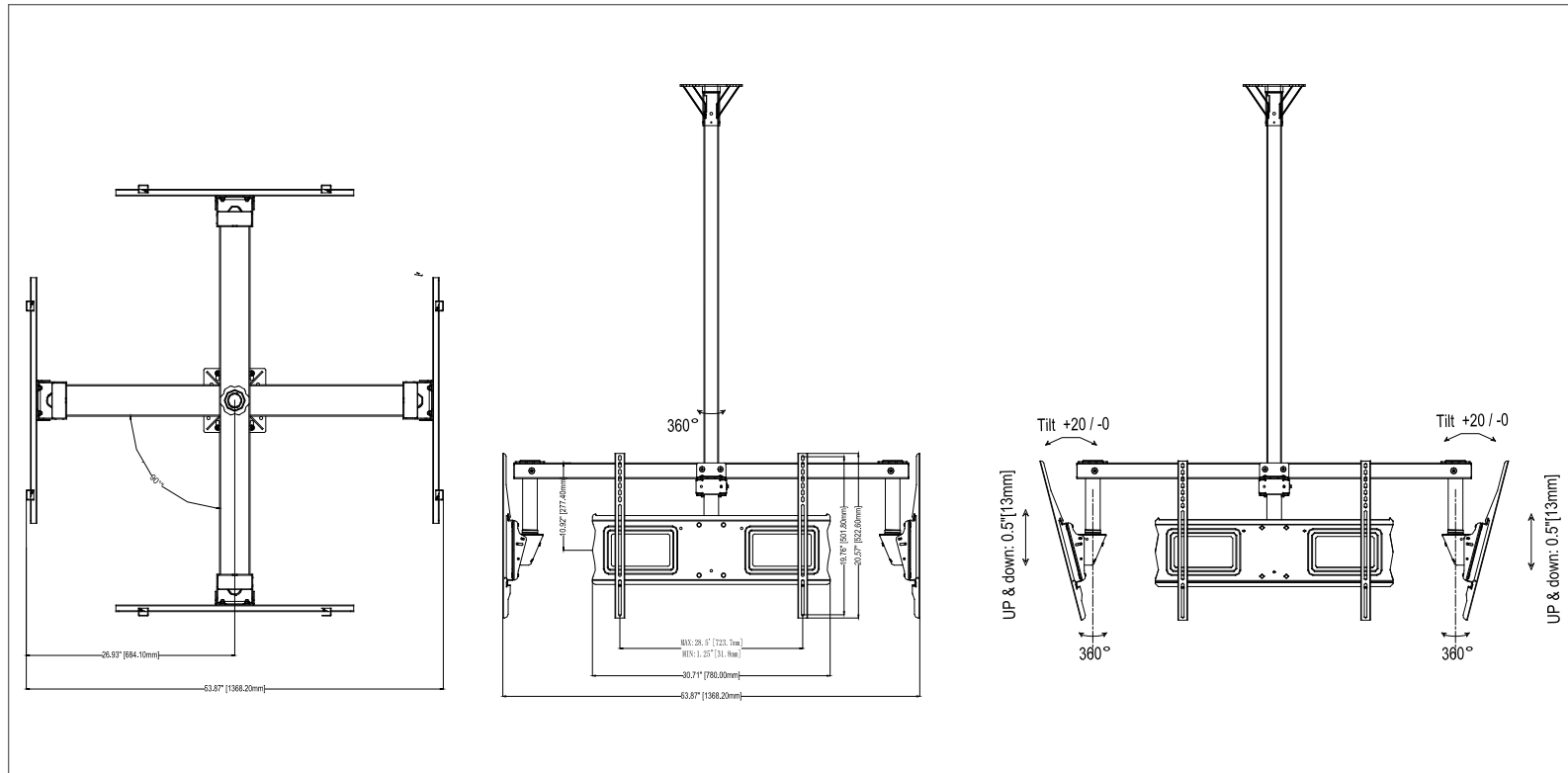
Designed for 37-70" displays*

Mustang AV
www.mustangav.com



Attribute	Value
Display size	37" - 70"
Weight capacity	125lb (57kg) per display
Max mounting pattern	723x501mm
Min mounting pattern	75x75mm
Rotation	360°
Tilt	+20°/-0°
Mounting interface	1.5" NPT thread compatible
Role (side to side)	6° tool less screen leveling
Construction	High-grade cold rolled steel
Part number	MPCQ-L75U
Product Weight	136lb (61.7kg)
Color	Black
Warranty	5 year limited

A complete hardware kit for mounting 4 displays from the ceiling. Includes all hardware required for installation (with exception of ceiling bolts). Comes complete with a 10' pipe drop and a heavy duty ceiling adapter for structural or Unistrut mounting. Features through-column cord management and lockable rotation of entire system or individual screens post installation.



Pipes and Connectors

Featuring standard 1.5" thread interface

800-398-5652

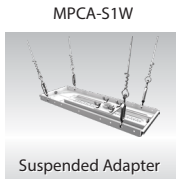
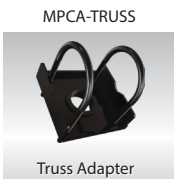


MPE-SERIES PIPE	
Model	Drop Length
MPE-06 / W	6"
MPE-1 / W	12"
MPE-018	18"
MPE-2	2'
MPE-3	3'
MPE-4	4'
MPE-5	5'
MPE-6	6'
MPE-7	7'
MPE-8	8'
MPE-9	9'
MPE-10	10'

MPEA-SERIES PIPE	
Model	Drop Length
MPEA-0611 / W	6" - 11"
MPEA-01218	12" - 18"
MPEA-01824	18" - 24"
MPEA-23	2' - 3'
MPEA-24	2' - 4'
MPEA-35	3' - 5'
MPEA-46	4' - 6'
MPEA-68	6' - 8'
MPEA-810	8' - 10'
MPEA-1012	10' - 12'

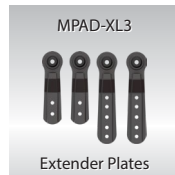
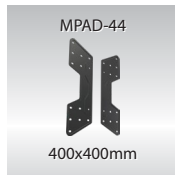
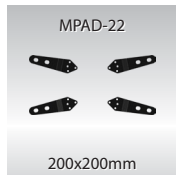
Ceiling Adapters

Featuring standard 1.5" thread interface



*Available with Unistrut hardware : MPCA-UNIS (MPCA-1) , MPCA-UNID225 (MPCA-4), MPCA-UNID625 (MPCA-8)

VESA Adapter Extenders



Other Accessories

