

# MPCD-X86U Ceiling Mount Box With Post-Install Leveling


For dual 37-80" displays\*

## Best In Class Ceiling Mount Solution

- Universal design
- VESA compatible
- Landscape or portrait orientation
- Fast and easy installation
- Up to 15° of continuous tilt and 360° rotation
- Pin-locking incremental tilt adjustment
- Post installation screen leveling without use of tools
- Mounts to any 1.5" NPT threaded pipe
- Pre-sorted hardware pack for easy installation



SKU	Display Size*	Max VESA	Rotation	Max Load
MPCD-X86U	37" - 80"	800x672mm	360°	150lb



**Mounting Surface**  
Compatible with standard 1.5" NPT threaded pipe.

**Tilt**  
+15° to -5° tilt for optimal viewing angles.

**Mounting Hardware**  
Complete set of mounting hardware, labeled for ease of use and ready to go.

**Universal Design**  
Fits any hole pattern up to 800x672mm (31.5"x26.5"). Max VESA hole pattern 800x600mm.

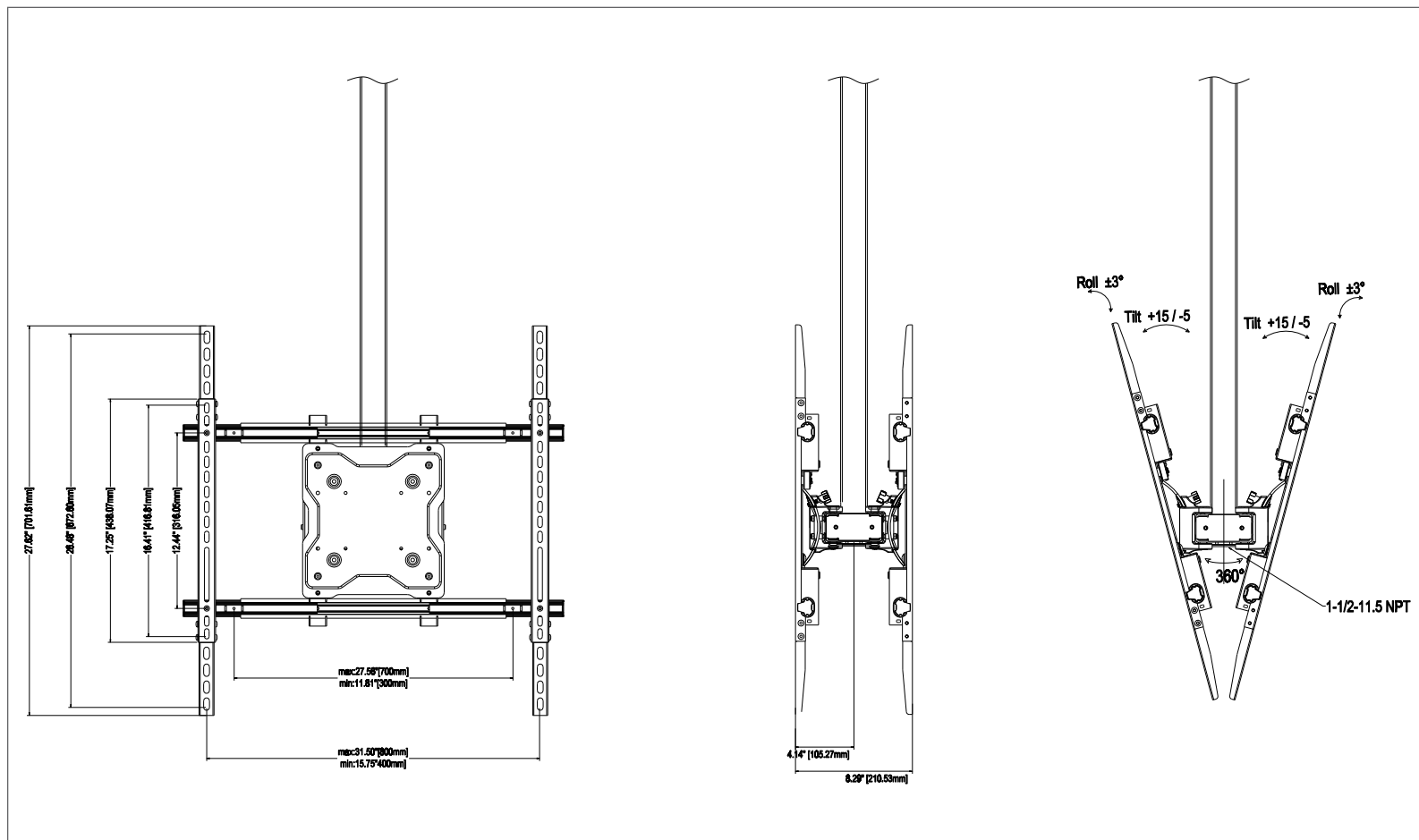
# MPCD-X86U Ceiling Mount Box With Post-Install Leveling

## For Dual 37-80" displays



Attribute	Value
Recommended display size*	37" - 80"
Weight capacity	150lb (68kg) each
Max mounting pattern	800x672mm
Min mounting pattern	75x75mm
Rotation	360°
Tilt	+15°/-5°
Mounting interface	1.5" NPT thread compatible
Role (side to side)	6° tool less screen leveling
Construction	High-grade cold rolled steel
Part number	MPCD-X86U
Product Weight	35.5lb (16.1kg)
Color	Black
Warranty	5 year limited

Ceiling mount box and universal display adapter assembly for dual 37" to 80" displays\*. Attaches to standard 1.5" threaded extension columns. Continuous tilt of 15° forward with 360° rotation. Makes a secure display installation quick and easy, simply hang the display and turn the pre-assembled securing screw to lock the universal adapter in place. Compatible with all 1.5" NPT threaded pipe.



## Pipes and Connectors

Featuring standard 1.5" thread interface

800-398-5652

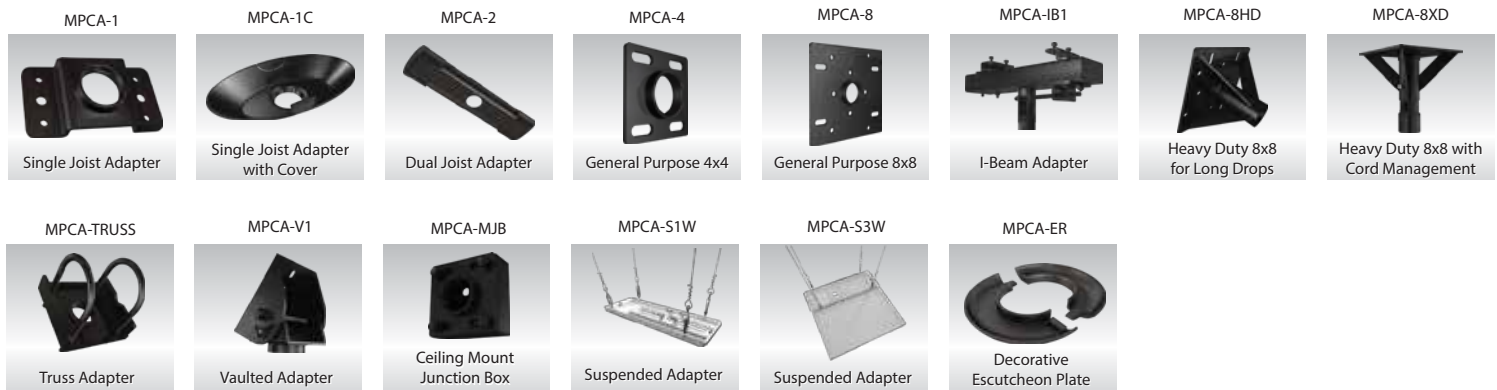


MPE-SERIES PIPE	
Model	Drop Length
MPE-04	4"
MPE-06	6"
MPE-1	12"
MPE-018	18"
MPE-2	2'
MPE-3	3'
MPE-4	4'
MPE-5	5'
MPE-6	6'
MPE-7	7'
MPE-8	8'
MPE-9	9'
MPE-10	10'

MPEA-SERIES PIPE	
Model	Drop Length
MPEA-0611	6" - 11"
MPEA-01218	12" - 18"
MPEA-01824	18" - 24"
MPEA-23	2' - 3'
MPEA-24	2' - 4'
MPEA-35	3' - 5'
MPEA-46	4' - 6'
MPEA-68	6' - 8'
MPEA-810	8' - 10'
MPEA-1012	10' - 12'

## Ceiling Adapters

Featuring standard 1.5" thread interface



\*Available with Unistrut hardware.

## VESA Adapter Extenders



## Other Accessories

