

MPC-M44V Ceiling Mount Box

For 32-55" + displays*

Best In Class Ceiling Mount Solution

- VESA compatible
- Fast and easy installation
- Landscape or portrait orientation
- Up to 15° of continuous tilt and 360° rotation
- Pre-tensioned tilt mechanism for smooth adjustment
- Post installation display leveling without use of tools
- Mounts to any 1.5" NPT threaded pipe
- Pre-sorted hardware pack for easy installation



SKU	Display Size*	Max VESA	Rotation	Max Load
MPC-M44V	32" -55"	400x400mm	360°	100lb

* Display size is meant as a guide – Compatible display sizes can be larger or smaller depending on the VESA and weight of the display.

Mounting Surface
Compatible with standard 1.5" NPT threaded pipe.

Tilt
+15° to -5° tilt for optimal viewing angles.

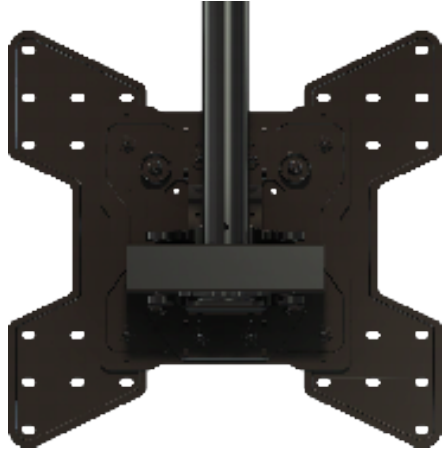
Mounting Hardware
Complete set of mounting hardware, labeled for ease of use and ready to go.

VESA Compatible
Compatible with 100x100mm, 200x100mm, 200x200mm, 300x200mm, 300x300mm, 400x300mm and 400x400mm.

MPC-M44V Ceiling Mount Box

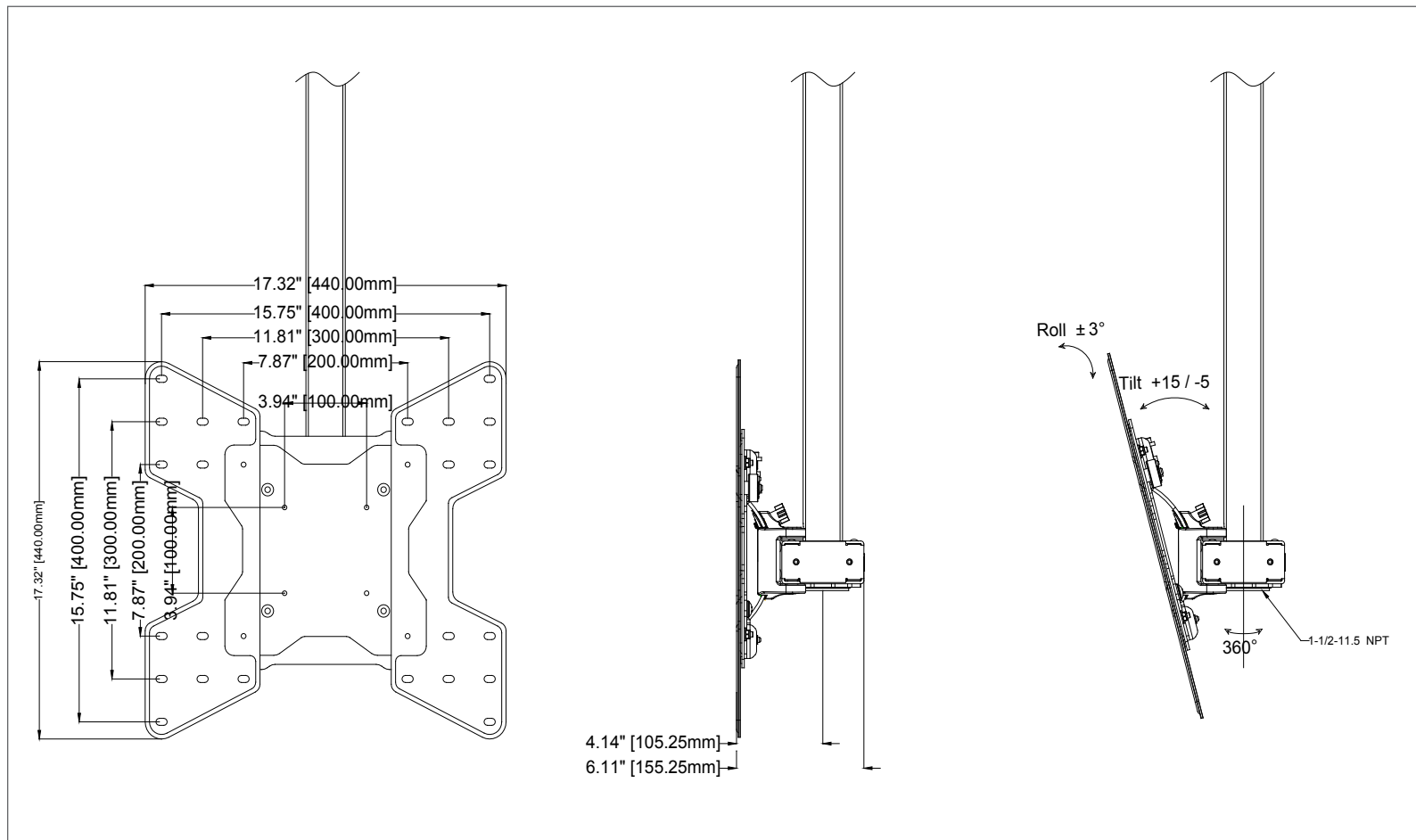
For 32-55"+ displays*

1-866-MOUNT-TV
www.crimsonav.com



Ceiling mount box and VESA display adapter assembly for 32" to 55"+ displays. Attaches to standard 1.5" threaded extension columns. Continuous tilt of 15° forward with 360° rotation. Makes a secure display installation quick and easy, simply hang the display and turn the pre-assembled securing screw to lock the universal adapter in place. Compatible with all 1.5" NPT threaded pipe.

Attribute	Value
Recommended display size*	32" - 55"+
Weight capacity	100lb (45kg)
Max mounting pattern	400x400mm
Min mounting pattern	100x100mm
Rotation	360°
Tilt	+15°/-5°
Role side to side	6° tool less screen leveling
Mounting interface	1.5" NPT thread compatible
Construction	High-grade cold rolled steel
Color	Black
Product Weight	14.8lb (6.7kg)
Part number	MPC-M44V



Pipes and Connectors

Featuring standard 1.5" thread interface

800-398-5652

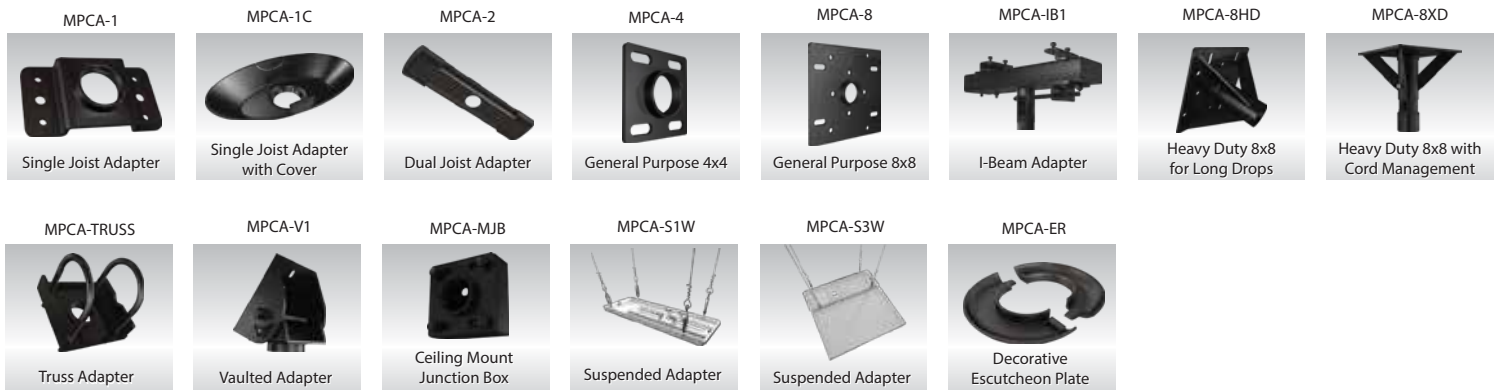


MPE-SERIES PIPE	
Model	Drop Length
MPE-04	4"
MPE-06	6"
MPE-1	12"
MPE-018	18"
MPE-2	2'
MPE-3	3'
MPE-4	4'
MPE-5	5'
MPE-6	6'
MPE-7	7'
MPE-8	8'
MPE-3	9'
MPE-10	10'

MPEA-SERIES PIPE	
Model	Drop Length
MPEA-0611	6" - 11"
MPEA-01218	12" - 18"
MPEA-01824	18" - 24"
MPEA-23	2' - 3'
MPEA-24	2' - 4'
MPEA-35	3' - 5'
MPEA-46	4' - 6'
MPEA-68	6' - 8'
MPEA-810	8' - 10'
MPEA-1012	10' - 12'

Ceiling Adapters

Featuring standard 1.5" thread interface



*Available with Unistrut hardware.

VESA Adapter Extenders



Other Accessories

