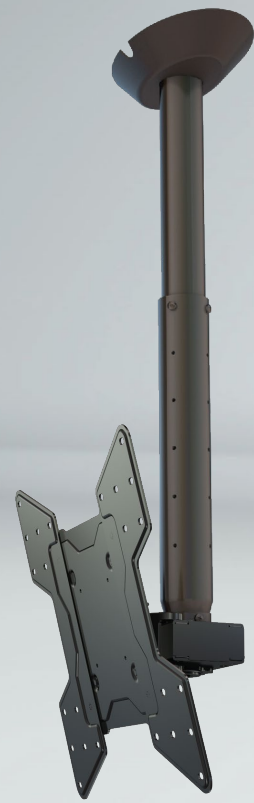


# MPC-M44V-60A Complete Ceiling Kit

For 37-65" displays\*

## Best In Class Ceiling Mount Solution

- VESA compatible up to 400x400mm
- 1" incremental drop length 3 - 5 foot adjustment pole
- Up to 15° of continuous tilt and 360° rotation
- Through-column cable routing for an uncluttered look
- Decorative covers to hide ceiling bolts for a finished look
- Pre-sorted hardware pack for easy installation
- Fast and easy installation



SKU	Display Size*	Max VESA	Rotation	Max Load
MPC-M44V-60A	46" - 65"	400x400mm	360°	80lb

\* Display size is meant as a guide – Compatible display sizes can be larger or smaller depending on the VESA and weight of the display.

**Pre-Installed Securing Screws**  
Easy hook and secure installation and pre-assembled securing screw makes installation fast and easy.

**Adjustable Drop Length**  
Adjust to the perfect length using 1" incremental adjustments.

**Mounting Surface**  
Standard 1.5" NPT threaded connection.

**Tilt**  
0 to +20° tilt for optimal viewing angles.

**Mounting Hardware**  
Complete set of mounting hardware, labeled for ease of use and ready to go.

**VESA Design**  
Compatible with 75X75mm, 100X100mm, 200X100mm, 200X200mm, 300X300mm and 400X400mm sizes.

# MPC-M44V-60A Complete Ceiling Kit

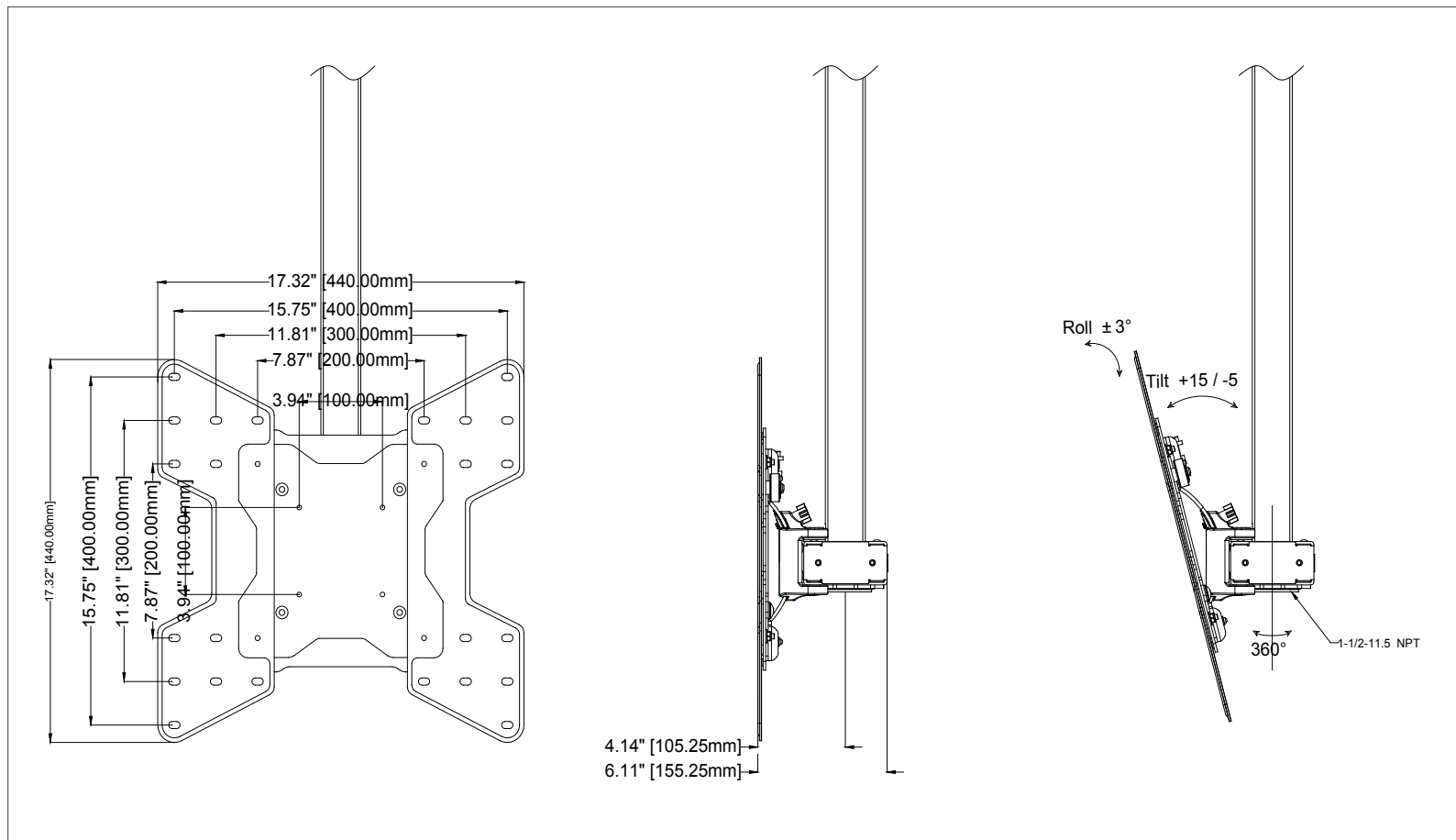
## Designed For 37-65" displays\*



Attribute	Value
Recommended display size*	37" - 65"
Weight capacity	80lb (36kg)
Max mounting pattern	400x400mm
Rotation	360°
Tilt	+15°/-0°
Pipe Drop length	3' - 5'
Height adjustments	2" increments
Construction	High-grade cold rolled steel
Color	Black
Part number	MPC-M44V-60A
Warranty	5 year limited

Complete ceiling installation kit with 3' to 5' drop adjustment for 46" to 65" displays. Includes VESA display adapter, 3'-5' adjustable extension columns for mounting on a single joist. Continuous tilt of 20° forward, 360° rotation. Incremental drop lengths provide perfect display positioning.

\* MPC-M44V-60A includes the MPCA-1C



## Pipes and Connectors

Featuring standard 1.5" thread interface

800-398-5652



MPE-SERIES PIPE	
Model	Drop Length
MPE-04	4"
MPE-06	6"
MPE-1	12"
MPE-018	18"
MPE-2	2'
MPE-3	3'
MPE-4	4'
MPE-5	5'
MPE-6	6'
MPE-7	7'
MPE-8	8'
MPE-3	9'
MPE-10	10'

MPEA-SERIES PIPE	
Model	Drop Length
MPEA-0611	6" - 11"
MPEA-01218	12" - 18"
MPEA-01824	18" - 24"
MPEA-23	2' - 3'
MPEA-24	2' - 4'
MPEA-35	3' - 5'
MPEA-46	4' - 6'
MPEA-68	6' - 8'
MPEA-810	8' - 10'
MPEA-1012	10' - 12'

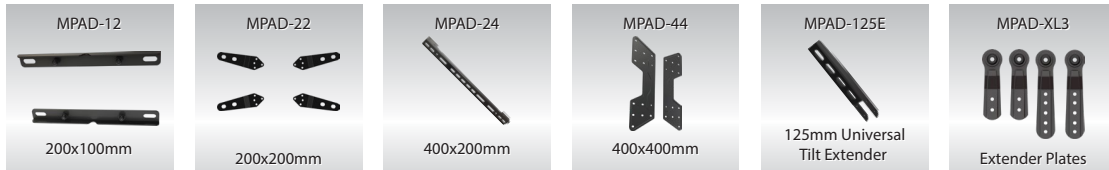
## Ceiling Adapters

Featuring standard 1.5" thread interface



\*Available with Unistrut hardware.

## VESA Adapter Extenders



## Other Accessories

