

# MPC-M22V Single Flat Panel Ceiling Mount

For 13-46" displays\*

## Best In Class Ceiling Mount Solution

- VESA compatible 75x75mm, 100x100mm, 200x100mm, 200x200mm
- Fast and easy installation
- Pre-assembled securing screw
- Up to 20° of continuous tilt and 360° rotation
- Mounts to any 1.5" NPT threaded pipe



SKU	Display Size*	Max VESA	Rotation	Max Load
MPC-M22V	13" - 46"	200x200mm	360°	80lb

\* Display size is meant as a guide – Compatible display sizes can be larger or smaller depending on the VESA and weight of the display.

**Pre-Installed Securing Screws**  
Easy hook and secure installation and pre-assembled securing screw makes installation fast and easy.

**VESA Design**  
VESA compliant with 75X75mm, 100X100mm, 200X100mm and 200X200mm sizes.

**Mounting Surface**  
Standard 1.5" NPT threaded connection.

**Tilt**  
Up to 20° of continuous tilt.

**Mounting Hardware**  
Complete set of mounting hardware, labeled for ease of use and ready to go.

**Tilt**  
0 to +20° tilt for optimal viewing angles.

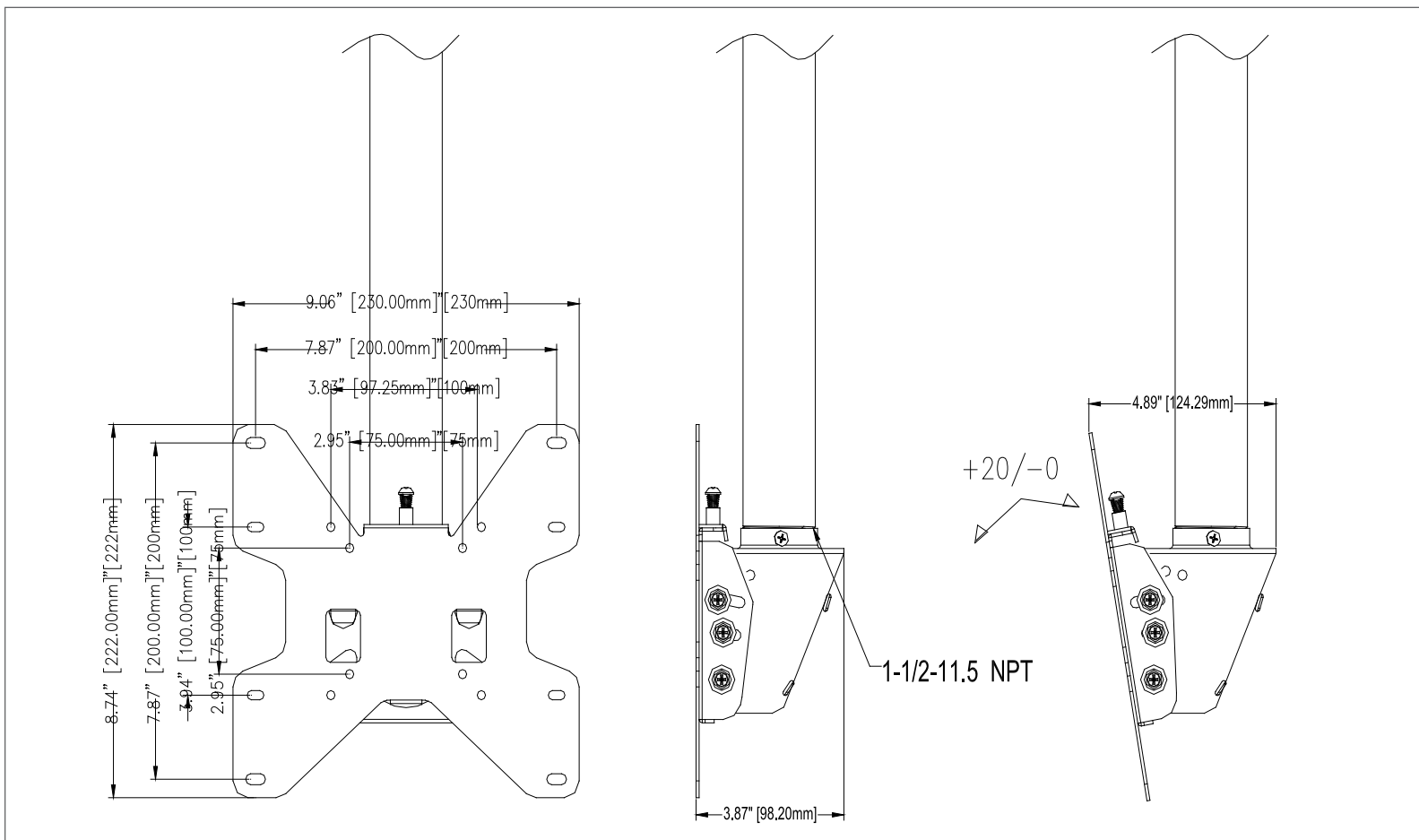
# MPC-M22V Ceiling Mount Box

## VESA display adaptor assembly for 13-46" displays\*



Attribute	Value
Recommended display size*	13" - 46"
Lateral adjustment	Varies with display
Weight capacity	80lb (36kg)
Max mounting pattern	200x200mm
Min mounting pattern	75x75mm
Rotation	360°
Tilt	+15°/-0°
Mounting interface	1.5" NPT thread compatible
Construction	High-grade cold rolled steel
Part number	MPC-M22V
Product Weight	7.2lb (3.3kg)
Color	Black
Warranty	5 year limited

Ceiling mount box and VESA display adaptor assembly for 13" to 46" displays\*. Attaches to standard 1.5" threaded extension columns. Continuous tilt of 20° forward with 360° rotation. Makes a secure display installation quick and easy, simply hang the display and turn the pre-assembled securing screw to lock the VESA adapter in place. Compatible with all 1.5" NPT threaded pipe.



## Pipes and Connectors

Featuring standard 1.5" thread interface

800-398-5652



MPE-SERIES PIPE	
Model	Drop Length
MPE-04	4"
MPE-06	6"
MPE-1	12"
MPE-018	18"
MPE-2	2'
MPE-3	3'
MPE-4	4'
MPE-5	5'
MPE-6	6'
MPE-7	7'
MPE-8	8'
MPE-3	9'
MPE-10	10'

MPEA-SERIES PIPE	
Model	Drop Length
MPEA-0611	6" - 11"
MPEA-01218	12" - 18"
MPEA-01824	18" - 24"
MPEA-23	2' - 3'
MPEA-24	2' - 4'
MPEA-35	3' - 5'
MPEA-46	4' - 6'
MPEA-68	6' - 8'
MPEA-810	8' - 10'
MPEA-1012	10' - 12'

## Ceiling Adapters

Featuring standard 1.5" thread interface



\*Available with Unistrut hardware.

## VESA Adapter Extenders



## Other Accessories

