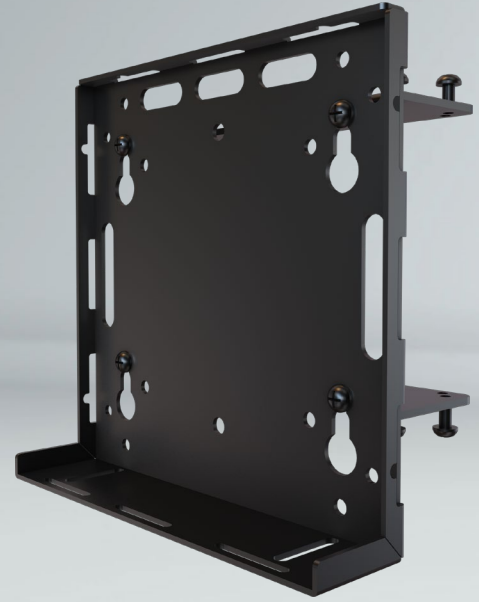


MPAD-CPU CPU/DVD/Media Player accessory

Media player wall or pole mount

Best in Class Mounting Solution

- Low profile, great for any digital signage application
- Can be attached to the wall or to 1.5" NPT pipe
- Belt strap included holds component in place
- Easily hides behind mount and display

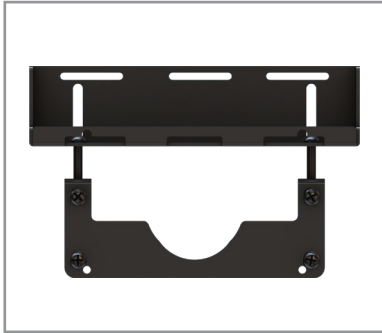


SKU	Display Size	Max VESA	Depth	Max Load
MPAD-CPU	Any	NA	1.75"	100 lb



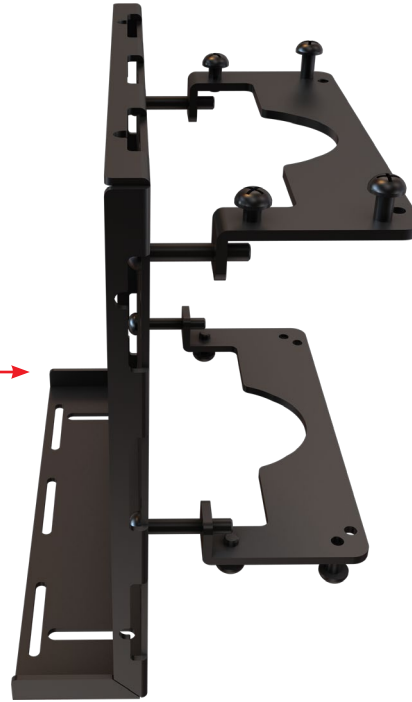
Low Profile Design

The MPAD-CPU holds components a mere 1.75 inches from the wall



Hold Components

Designed to hold a wide variety of displays as well as securely hold tv components.

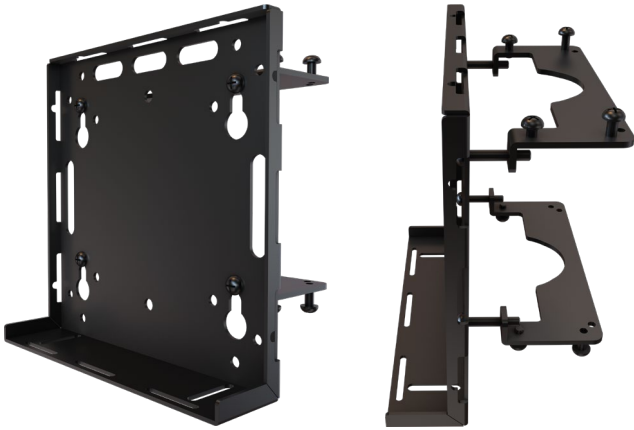


Mounting Hardware

Complete set of mounting hardware, labeled for ease of use and ready to go.



MPAD-CPU CPU/DVD/Media Player acces- Media player wall or pole mount



Attribute	Value
Display size	Any
Orientation	Varies with display
Weight capacity	100 lb
Mounting	Wall or Pole
Depth from wall	1.7"
Construction	High-grade cold rolled steel
Product finish	Scratch resistant epoxy powder coat
Color	Black
Model number	MPAD-CPU
Warranty	5 year limited

CPU/DVD/Media player accessory that attaches to the wall or 1.5" NPT pipe. 1.5" NPT compatible pipe; wood stud, concrete, cinder block or metal stud (accessory required HT2). aluminum/high-grade cold rolled steel product finish and scratch resistant epoxy powder coat.

