



Professional Solutions - Unrivalled Value

Articulating arm holds screen 3.1" from wall and extends up to 15.7" for variable viewing angles. Smooth tilt adjustments of 15° forward and 5° back with a locking knob for a variety of viewing angles. 5° side to side roll for perfect screen positioning. Makes a secure installation quick and easy, simply hang the screen and turn the pre-assembled securing screw to lock in place. Integrated cable management for clean look.

13" - 55" / 33cm-117cm

80 LB / 36 KG

■ **VESA Compatible**

Works with any hole pattern up to 400mm (15.7") x 400mm (15.7") in height.

■ **Extendable**

Extends from 3.1" to 15.7"

■ **Screen Size**

Fits most 13" to 55" flat panel screens weighing up to 80lb (36kg).

■ **Tilt**

Pre-tensioned tilt mechanism allows for smooth tilt adjustment of 15° forward and 5° back.

■ **Easy Installation**

Pre-assembled securing screw makes installation fast and easy.

■ **Cable Management**

Integrated cable management for clean look.

■ **Included Hardware**

Pre-sorted hardware pack for easy component selection and installation (hardware for installation to wood studs or concrete surfaces included).

Functional Specifications

Depth from wall: 3.1" (79mm)

Swivel: 180° (3 joints)

Tilt: +15°/-5°

Mounting Surfaces: Wood stud, concrete & cinder block (with included hardware). Metal Stud (requires accessories).

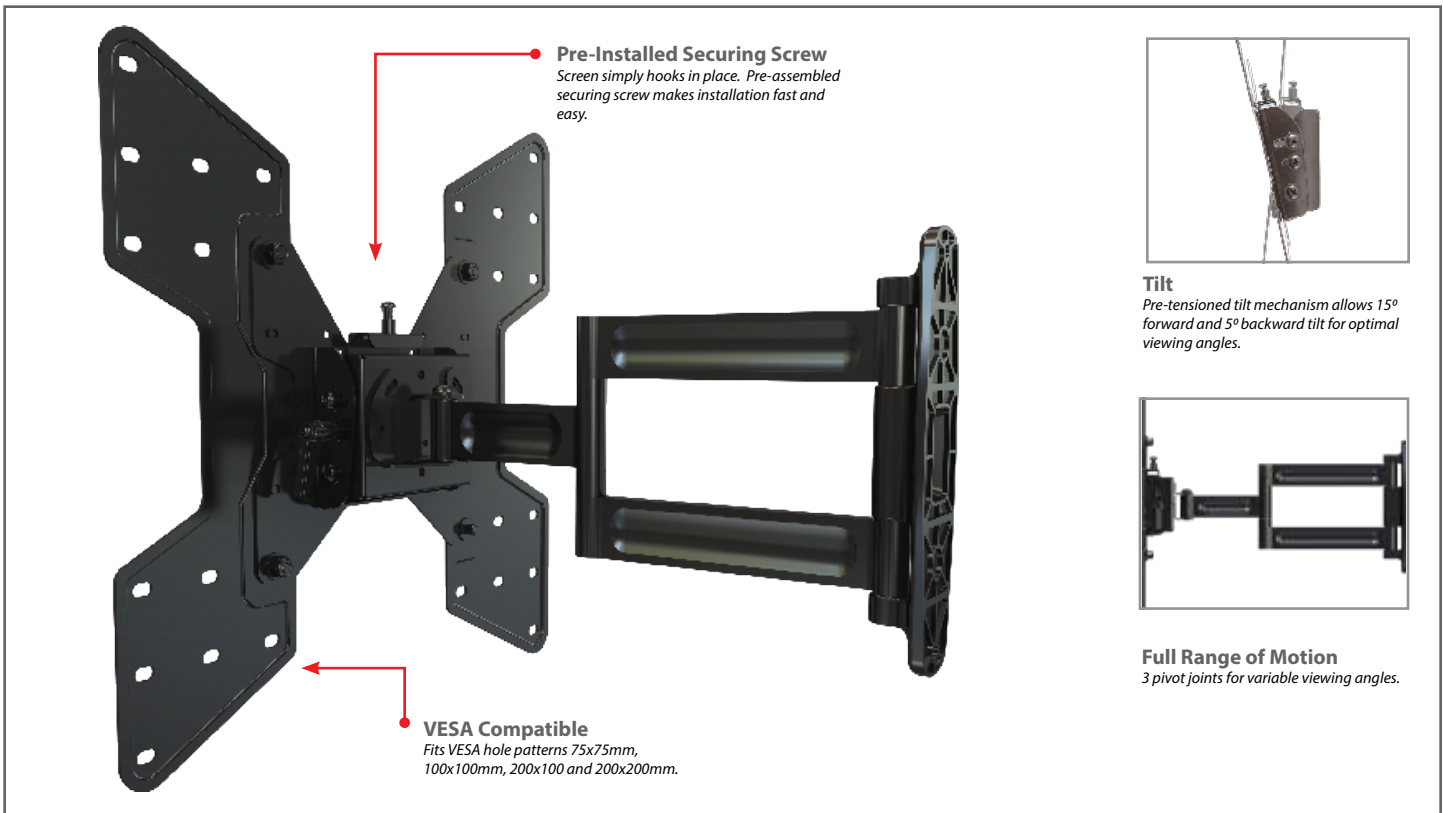
Mounting Patterns:

Max - 400x400mm

Min - 100x100mm

Load Capacity: 80 LB / 36 KG

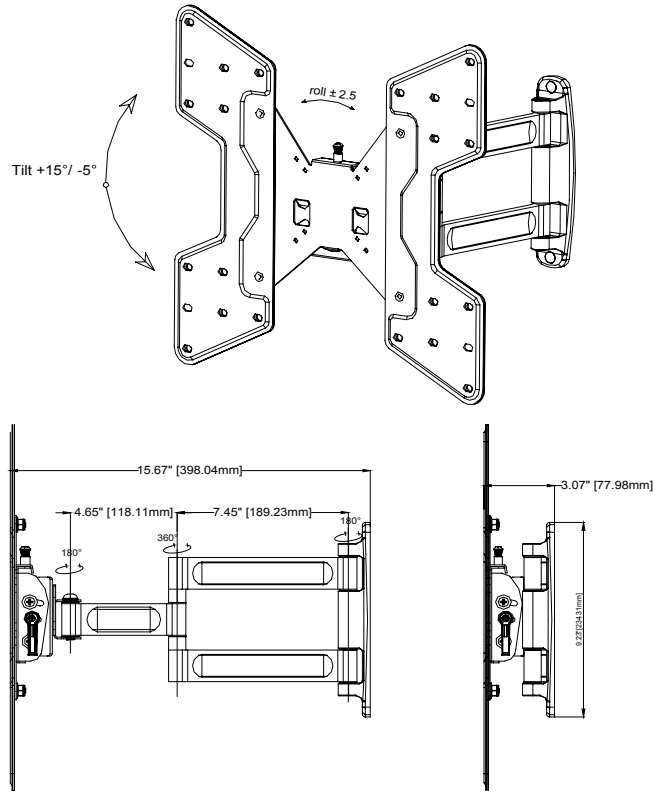
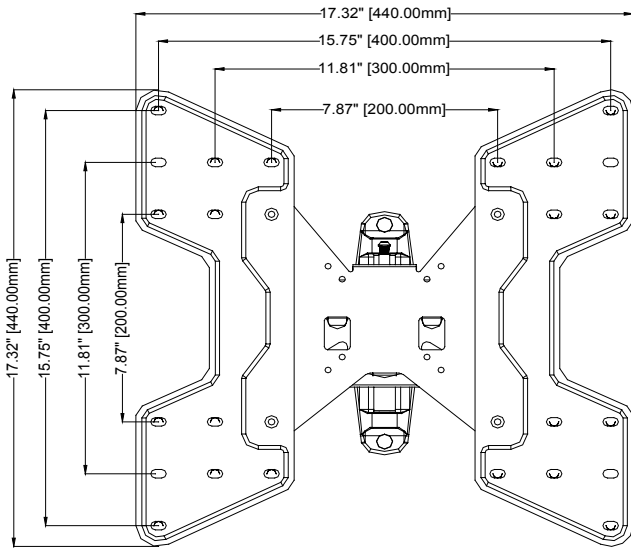
Warranty: Limited 5 Years



Full Motion Articulating Wall Mount

For 13" to 55" (33-117cm) LCD, LED and Plasma TV's

MPA-M44VF

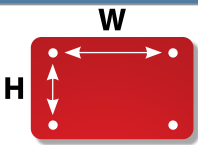


Product Specifications

Package Specifications

PRODUCT WEIGHT	LOAD CAPACITY	COLORS	FINISH	PACKAGE SIZE (WxHxD)	SHIP WEIGHT	SKU	PACKAGE CONTENTS
10.1lb (4.6kg)	80lb (36kg)	Black Silver	Scratch resistant powder coating	20.3" x 9.6" x 5.1" (516 x 244 x 130 mm)	12.1lb (5.5kg)	MPA-M44VF (Black)	Mount, wall and screen mounting hardware, product manual.

Mounting Interface



Max Mounting Pattern
400mm (W) x 400mm (H)

W	75mm	100mm	200mm	200mm	300mm	300mm	400mm	400mm	400mm
X	X	X	X	X	X	X	X	X	X
H	75mm	100mm	100mm	200mm	200mm	300mm	200mm	300mm	400mm

Accessories

Toggle bolts (for metal stud installation)



MPHW-TOG2 - 2 Pack
MPHW-TOG4 - 4 Pack
MPHW-TOG6 - 6 Pack

Use when installing into metal stud.

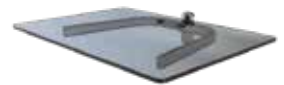
On-wall Cable Management



MPWA-1 - 1 Shelf
MPWA-2 - 2 Shelves
MPWA-3 - 3 Shelves

Component shelf and on-wall cable routing system. Hides cables inside internal channels for a clean look.

Shelving



MPFA-2 - 1 Shelf

Single-stud mountable component shelf.