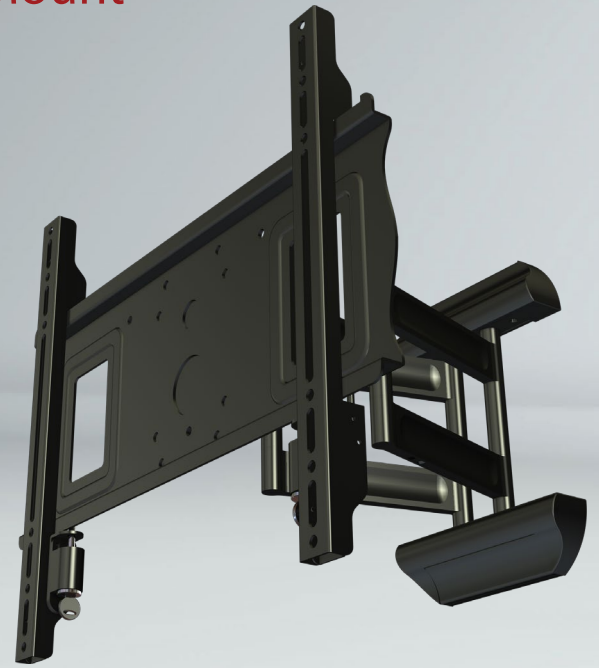


MPA-M44ULL Full Motion Articulating Wall Mount

Universal Mount For 32-55" Displays*

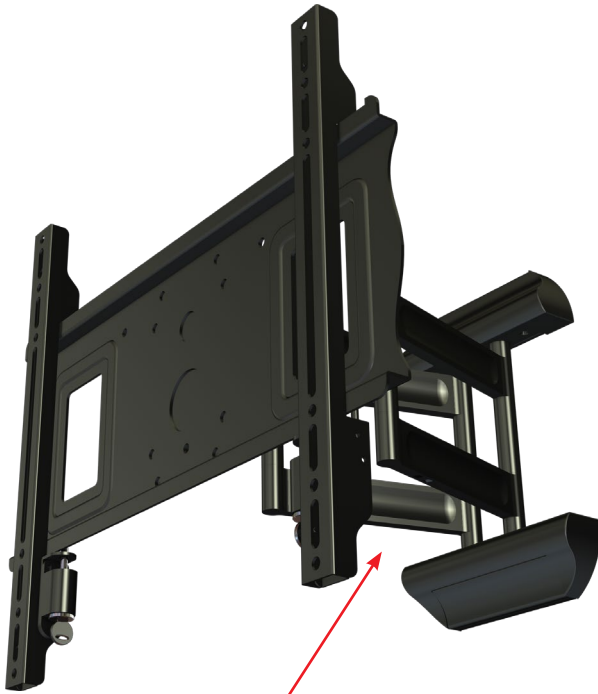
Best In Class Articulating Wall Mount Solution

- Security covers block access to monitor attachment points and prevents tampering and unauthorized removal
- One touch proprietary lock and key system for added security
- 0-55 degree rotation option
- Through column cable management
- Universal design fits displays up to 454x400mm
- VESA compatible 100x100mm through 454x400mm



Model	Display Size*	Max VESA	Total Load
MPA-M44ULL	32" - 55"	454x400mm	150lb

* Display size is meant as a guide – Compatible display sizes can be larger or smaller depending on the VESA and weight of the display.



VARIABLE VIEWING ANGLE

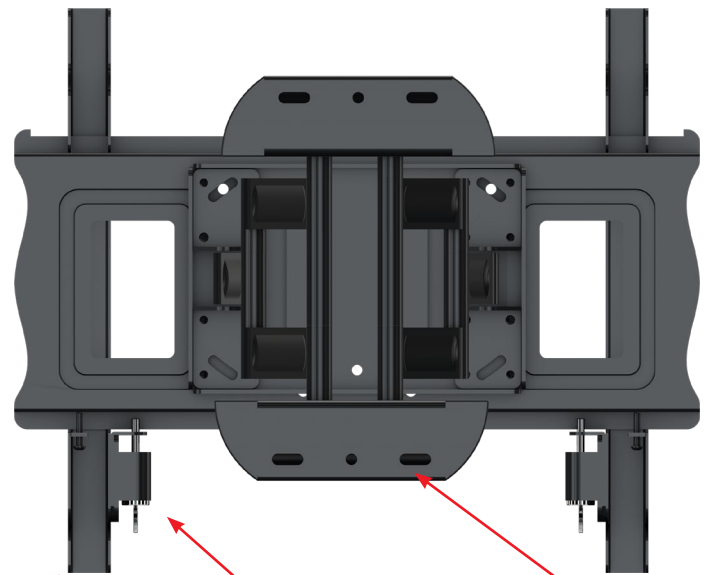
15.5" Extension

Display can be pulled out and swiveled to achieve up to 55° of pivot (depending on display size) and retracts to less than 3" from the wall.

ANTI-THEFT & ANTI-TAMPER SECURITY

Security Covers

Block access to display attachment points and prevents removing or tampering



Proprietary Lock & Key Security

One-touch lock system prevents removal of TV. Provides a deeper level of security than standard security screws. Laser cut keys can not be duplicated

6-Point Wall Connection

Attach to wall backing with up to 6 bolts for a long lasting and secure installation

MPA-M44ULL Full Motion Articulating Wall Mount

Designed for 32-55" displays*

Mustang AV
www.mustangav.com



Hospitality articulating wall mount with integrated security. Multiple joint arms hold display 3.8" from wall when retracted and 15.5" when fully extended. Has up to 55° side-to-side rotation allow for a variety of viewing angles and perfect positioning. Makes a secure installation quick and easy, simply hang the display and turn the pre-assembled securing screws to lock in place. Integrated cable management for clean look.

Attribute	Value
Recommended display size *	32" - 55"
Weight capacity	150lb (68kg)
Max mounting pattern	454x400mm
Min mounting pattern	100x100mm
Depth from wall	3.8"
Max extension	15.5"
Pivot	55°
Construction	Aluminum/high-grade cold rolled steel
Product weight	21.06lb (9.76kg)
Product finish	Scratch resistant epoxy powder coat
Color	Black
Model number	MPA-M44ULL
Warranty	5 year limited

