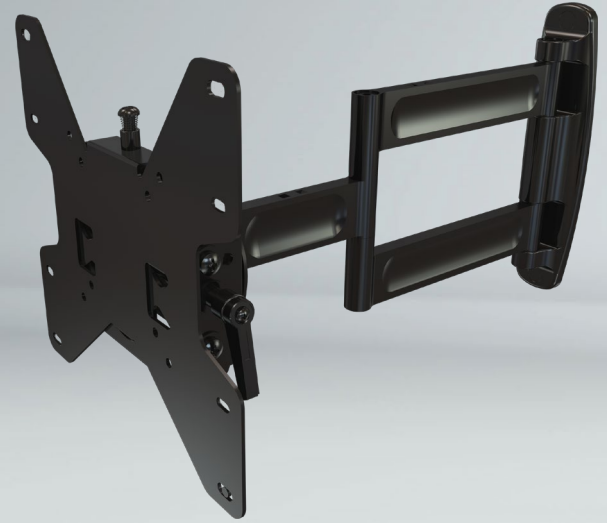


MPA-M22VF Full Motion Articulating Wall Mount

Designed for 13-40" Displays*

Best In Class Articulating Wall Mount Solution

- VESA compatible 75x75mm, 100x100mm, 200x100mm, 200x200mm
- Pre-assembled securing screw makes installation fast and easy
- Post installation screen leveling without use of tools
- Integrated cable management for clean look



Model	Display Size*	Max VESA	Total Load
MPA-M22VF	13" - 40"	200 x200mm	80lb

* Display size is meant as a guide – Compatible display sizes can be larger or smaller depending on the VESA and weight of the display.

Pre-Installed Securing Screw
Display simply hooks in place. Pre-assembled securing screw makes installation fast and easy.

VESA Compatible
Fits VESA hole patterns 75x75mm, 100x100mm, 200x100 and 200x200mm.

Full Range of Motion
3 pivot joints for variable viewing angles.

Tilt
Pre-tensioned tilt mechanism allows 15° forward and 5° backward tilt for optimal viewing angles.

Cord Management
Integrated cord management for clutter-free installation.

MPA-M22VF Full Motion Articulating Wall Mount

Designed for 13-40" displays*

Mustang AV
www.mustangav.com



Articulating mount for 13" to 40" displays. Multiple joint arm holds display 2.9" from wall when retracted and 15.4" when fully extended. Smooth tilt adjustments of +15° (forward) and -5° (back) and 2.5° side-to-side roll facilitates a variety of viewing angles and perfect positioning. Makes a secure installation quick and easy, simply hang the screen and turn the pre-assembled securing screw to lock in place. Integrated cable management for clean look.

Attribute	Value
Recommended display size *	13" - 40"
Weight capacity	80lb (36kg)
Max mounting pattern	200x200mm
Min mounting Pattern	75x75mm
Pivot	180°
Tilt	+15°/-15°
Depth from wall	2.9" (73.6mm)
Max extension	15.4" (392mm)
Construction	Aluminum/high-grade cold rolled steel
Product weight	5.5lb (2.5kg)
Product finish	Scratch resistant epoxy powder coat
Color	Black
Model number	MPA-M22VF
Warranty	5 year limited

