

42" SLEEK INDOOR TOUCH KIOSK

Designed for your digital signage application

*ELO 4202L touch display included

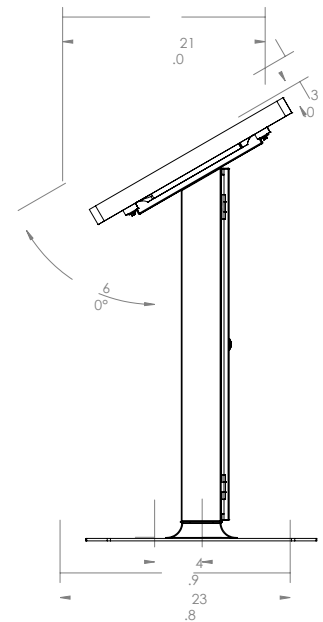
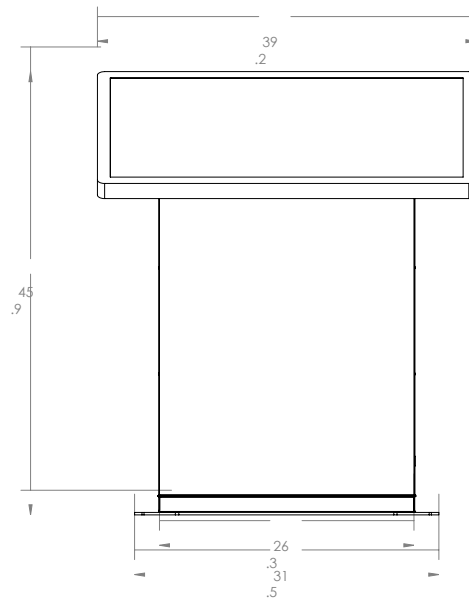


MPKIL-42-ELO

The Mustang MPKIL-42-ELO indoor landscape kiosk is designed to support the ELO 4202L touch display. This kiosk features a sleek minimalistic modern look with no bulky top cabinet to support the ELO display. The kiosk base has a radius bottom which provides a smooth transition to the base support.

This kiosk is part of Mustang's family of indoor landscape kiosks and is perfect for content and CMS partners who want to buy and then re-sell to the end users.

The kiosk is constructed using 14 GA. high impact steel and built to take public traffic and bumps and bruises. It is perfect for malls, college campuses, retail locations and a host of other applications. This kiosk can be painted any color you desire and can also include printed decals and kiosk wraps.





4202L 42-inch

Touchscreen Signage



Integrated Touch



Commercial Grade



3-Year Warranty

Product Overview

Elo's 4202L 42-inch interactive digital signage touchscreen delivers a professional-grade large format display in a slim, integrated package. With a 500 nit LED panel, the 4202L is a bright, high quality display suitable for public environments. State of the art HD display technology is utilized including a high contrast/ brightness LED-backlit LCD panel, extended color gamut with movie/ gaming/ photo modes, black level adjustment, and on-screen menu enhancements.

Available with Elo's industry leading TouchPro® PCAP enabling up to 12 touches and Infrared (IR) touch technology with up to 20 touches. Both touch technologies provide a fast and extremely sensitive response that are compatible with Microsoft Windows 10 and Android 7.1 operating systems. Additionally, the PCAP display provides the optimal large format, "smart phone like" touch experience with anti-friction edge-to-edge glass that is easy to clean with no edges to trap dirt and grease.

The 2 inches (51 mm) thin (<4" mounted) design is compliant with ADA and IBC protrusion requirements

Reliable, integrated IDS solution with optional NFC / RFID scanners and webcam kits

Flexible mounting in portrait, landscape and table-top orientation

4202L 42" Touchscreen Signage

| Specifications | |
|---------------------------------------|---|
| Model | 4202L |
| Form Factor | Digital Signage |
| Bezel Color | Black |
| Active Display Area (W x H) | 36.6" x 20.1" (930.2mm x 523.3mm) |
| Display Technology | Full HD 1920 x 1080 @ 60Hz (native) Active matrix TFT LCD with LED backlight (Other resolutions supported) |
| Diagonal Size | 42.0" (106.7 cm) |
| Aspect Ratio | 16:9 |
| Number of Colors | 16.7 million |
| Brightness (typical) | LCD Panel 500 nits; with IR 450 nits; with Projected Capacitive 430 nits |
| Response Time (Tr + Tf) (typical) | 8 msec |
| Viewing Angle (typical) | Horizontal: ±89°/178° total; Vertical: ±89°/178° total |
| Contrast Ratio (typical) | 4000:1 |
| On-Screen Display (OSD) | Video Settings: Video Port Discovery, Video Source Select, Black Level, Brightness, Contrast, Sharpness & Auto Adjustment; Color Settings: Color Temperature, User Preset (for color), Dynamic Color Modes are available in this menu; Audio Settings: Audio Source selection is available here. The monitor can be muted and volume can be adjusted; OSD Settings: The OSD Timer and language can be changed in this menu; Power Settings: The Power Behavior can be changed in this menu; RTC Settings: Time setting & the monitor ON/OFF schedule can be changed within this menu. Daylight Saving time will change the current time by one hour to accommodate daylight savings time; |
| Available I/O Ports | Input: AC power input, USB type B (for Touch), VGA, 2x HDMI, GPIO, DisplayPort, Audio Line-in Output: Audio Headphones out, RJ45 (for optional OSD remote) |
| Video Inputs | Analog VGA on Female DE-15 connector; 2x HDCP-capable HDMI 1.3 on Type A connector; DisplayPort 1.1a connector; Input Video Horizontal Sync frequency range: 31.5-73 KHz; Input Video Vertical Sync (frame rate) frequency range: 47-63Hz |
| Power | Input power connector: IEC 60320 C6; Input power signal specifications: 100-240VAC 50/60Hz Monitor Only (typical at 120V at 60Hz): ON: 81W; SLEEP: 8.6W; OFF: 2W / (typical at 230V at 50Hz): ON: 80W; SLEEP: 7W; OFF: 2.1W Monitor w/ ECM (typical at 120V at 60Hz): ON: 88W; SLEEP: 11.6W; OFF: 11W / (typical at 230V at 50Hz): ON: 88W; SLEEP: 10W; OFF: 11W |
| Audio | Internal Speakers: 4 x 5W stereo speakers; Input audio connector: 3.5mm TRS jack; Input audio signal range: 1Vrms max stereo signal (standard PC line out); Headphone output connector: 3.5mm TRS jack |
| Weight | IR: Unpackaged – w/ ECMG3: 54.9 lbs (24.9kg); w/o ECMG3: 48.3 lbs (21.9kg); Packaged: w/o ECMG3: 61.7 lbs (28.0kg) PCAP: Unpackaged – w/ ECMG3: 52.4 lbs (23.8kg); w/o ECMG3: 45.8 lbs (20.8kg) Packaged: w/o ECMG3: 59.6 lbs (27.0kg) |
| Shipping Dimensions | IR: 43.7" x 8.46" x 28.35" (1110mm x 215mm x 720mm); PCAP: 45.28" x 8.46" x 28.35" (1150mm x 215mm x 720mm) |
| Maximum Operating Time | 24 hours/day |
| Temperature | Operating: 32°F to 104°F (0°C to 40°C); Storage: -4°F to 140°F (-20°C to 60°C) |
| Humidity (non-condensing) | Operating: 20%-80%; Storage: 10%-95% |
| Regulatory Approvals and Declarations | UL, FCC, cUL, IC, CB, CE / RFID Supported Protocols: ISO - 14443-A; ISO - 14443-B; ISO - 15693 |
| Accessories | NFC (E001004), Barcode Reader (E093433), MSR (E001002), OPS Kit (E337104), OSD Control Box (E483757), Replacement Cable Kit (E000263), Stand (E275623), Side-Mount Brackets (E329508), Wall Mount Kit (E275050), Webcam (E275233) |
| Warranty | 3 years standard. On-site exchange (U.S. only) |
| Extended Warranty | 4 year + AUR - Elo P/N: E740135; 5 year + AUR - Elo P/N: E740330; 3 year + OSE (Continental US Only) - Elo P/N: E740527 4 year + OSE (Continental US Only) - Elo P/N: E740728; 5 year + OSE (Continental US Only) - Elo P/N: E740918 |
| MTBF | 50,000 hours demonstrated |
| What's in the Box | HDMI cable (Type A plug to Type A plug), USB cable (Type A plug to Type B plug), power cable, IEC 60320-C5 to N. America plug power cable, IEC 60320-C5 to EU/KR plug power cable, IEC 60320-C5 to UK plug, 3.5mm Audio Cable, Energy label according to EU Regulation |