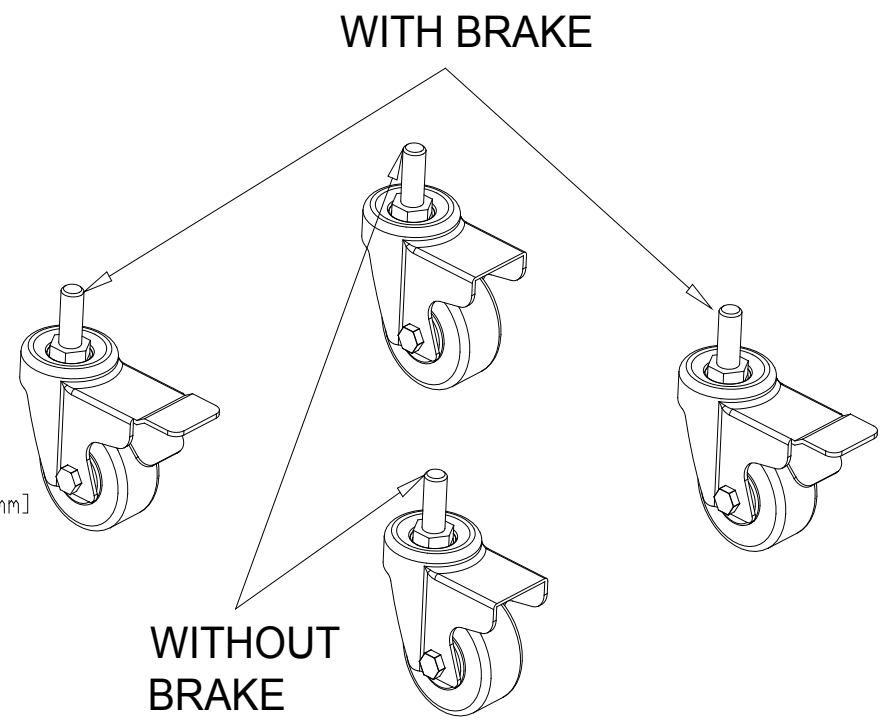
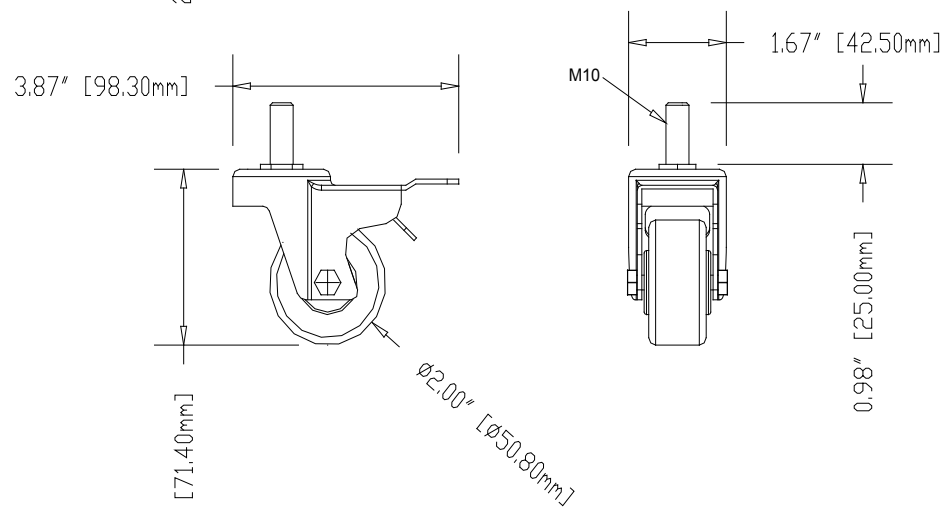
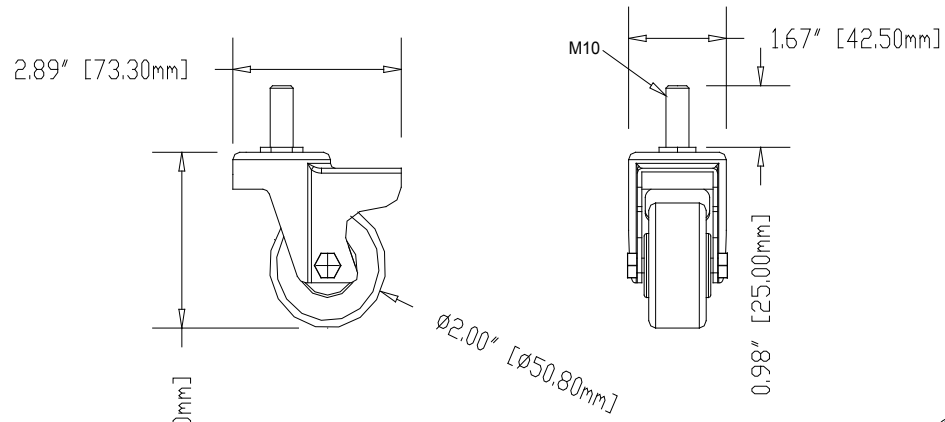


Maximum load rating: 100 lbs



THE INFORMATION CONTAINED IN THIS DRAWING IS THE SOLE PROPERTY OF Mustang AV. ANY REPRODUCTION IN PART OR AS A WHOLE WITHOUT THE WRITTEN PERMISSION OF Mustang AV. LLC IS PROHIBITED



Scale=1:1  
 PRODUCT ORDER NUMBER: NA

Mustang AV.	
TITLE:	NA
SIZE B	DWG.N.O. NA