

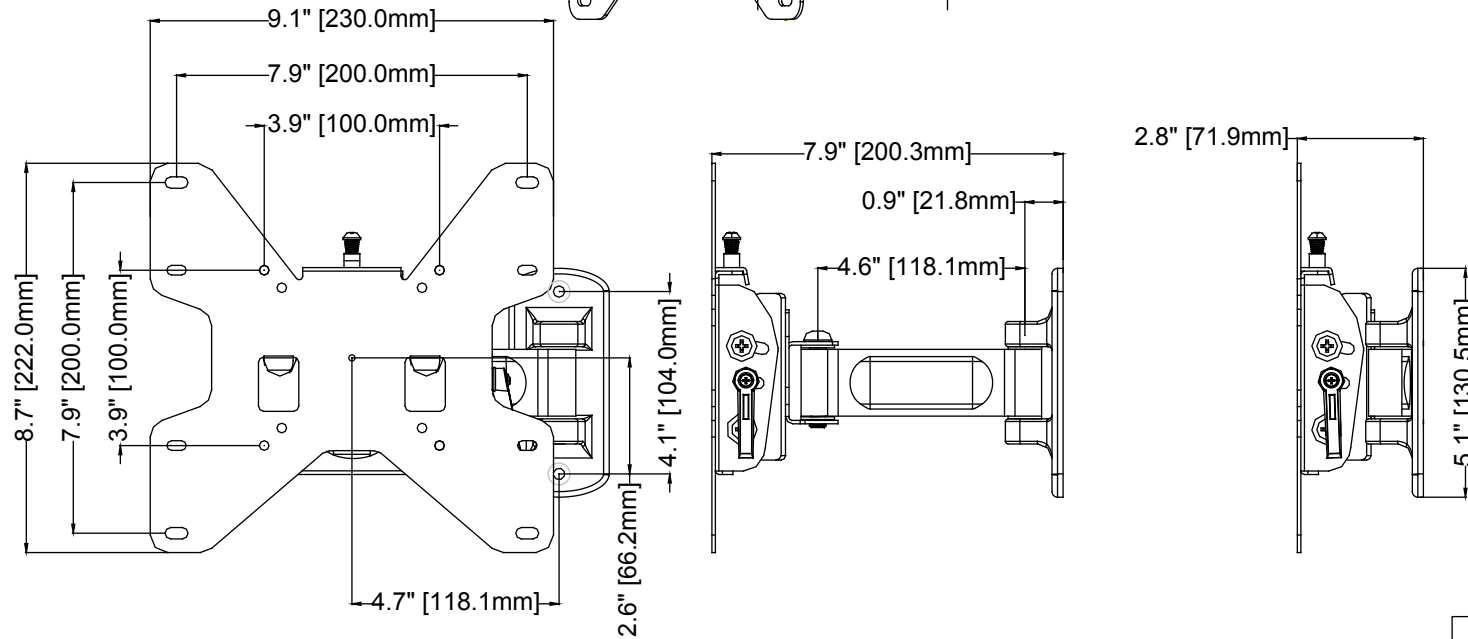
Maximum load rating: 80 lbs

TILT: +15/-5 °

Roll: +2.5°

180°

180°



THE INFORMATION CONTAINED IN THIS DRAWING IS THE SOLE PROPERTY OF STAMPEDE GLOBAL LLC ANY REPRODUCTION IN PART OR AS A WHOLE WITHOUT THE WRITTEN PERMISSION OF STAMPEDE GLOBAL LLC IS PROHIBITED

MUSTANG
PROFESSIONAL

PRODUCT ORDER NUMBER: **MPP-M22VF**
PHONE: **800-398-5652**

Scale=1:1

STAMPEDE GLOBAL

TITLE:

MPP-M22VF

SIZE
B

DWG.N.O.

MPP-M22VF