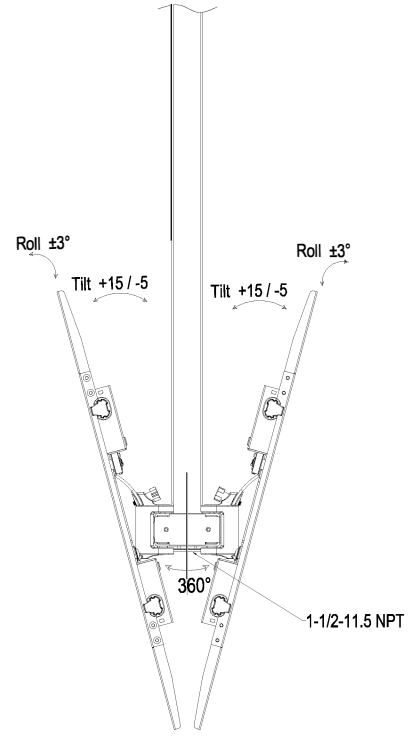
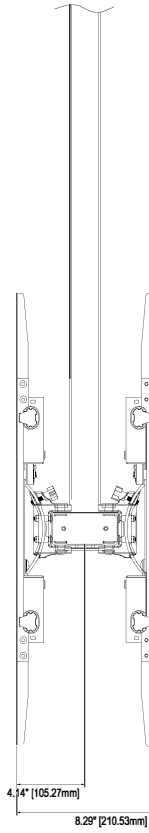
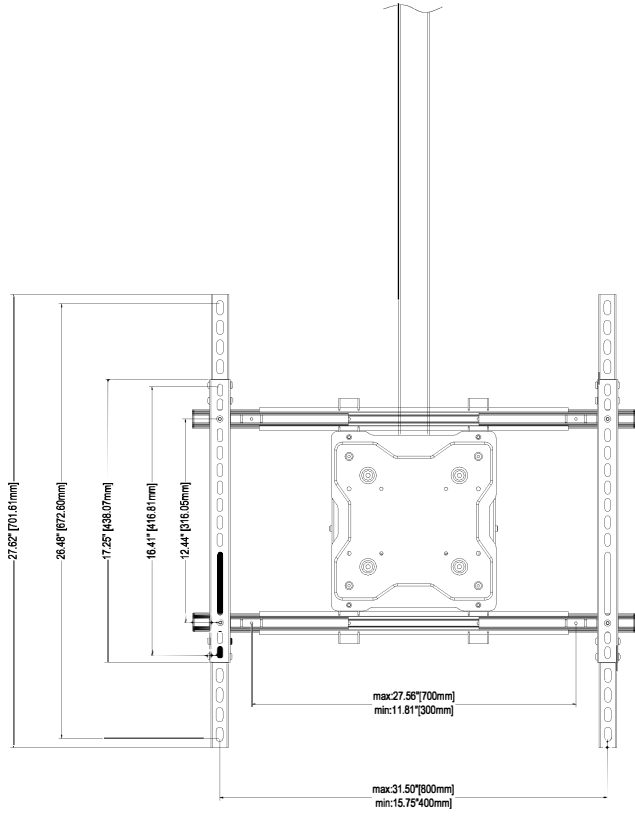


Maximum load rating: 150 lbs



THE INFORMATION CONTAINED IN THIS DRAWING IS THE SOLE PROPERTY OF STAMPEDE GLOBAL. ANY REPRODUCTION IN PART OR AS A WHOLE WITHOUT THE WRITTEN PERMISSION OF STAMPEDE GLOBAL IS PROHIBITED

STAMPEDE GLOBAL.
PRODUCT ORDER NUMBER: **MPCD-X86U**
PHONE: **800-398-5652**

Scale=1:1

STAMPEDE GLOBAL	
TITLE:	
MPCD-X86U	
SIZE B	DWG.NO. MPCD-X86U