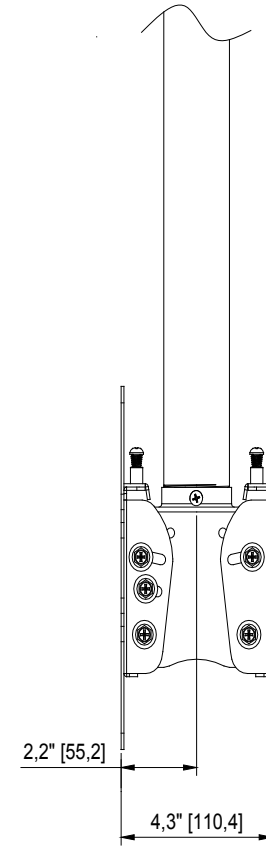
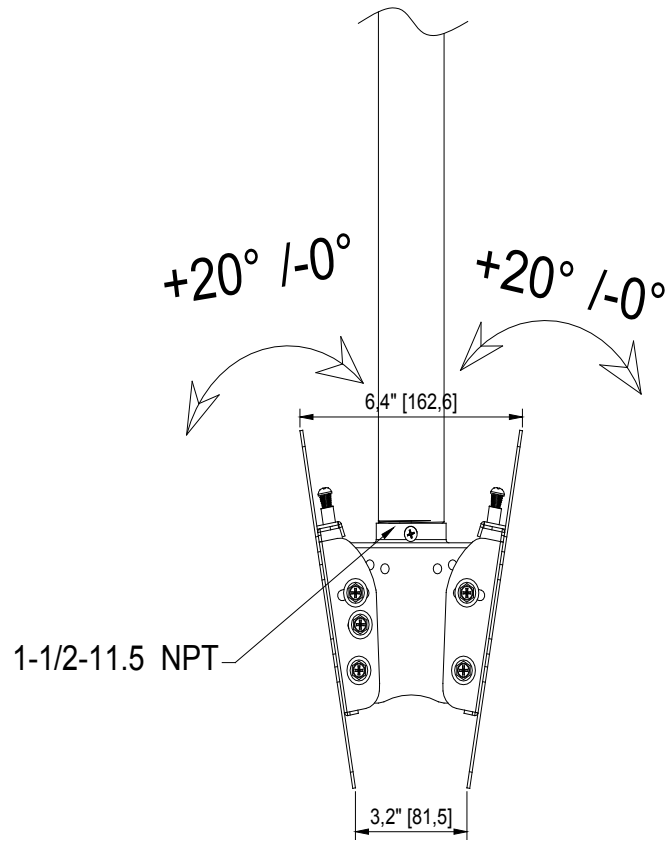
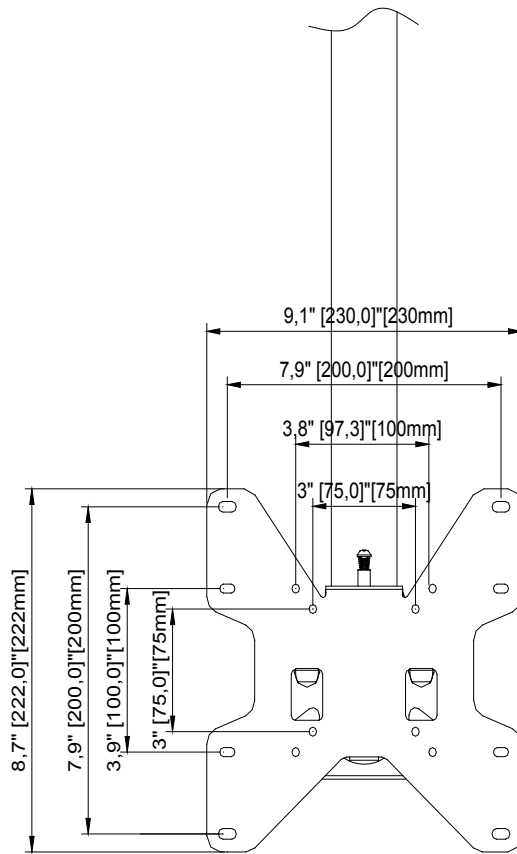


Maximum load rating: 80 lbs



THE INFORMATION CONTAINED IN THIS DRAWING IS THE SOLE PROPERTY OF STAMPEDE GLOBAL LLC ANY REPRODUCTION IN PART OR AS A WHOLE WITHOUT THE WRITTEN PERMISSION OF STAMPEDE GLOBAL LLC IS PROHIBITED

MUSTANG
PROFESSIONAL

PRODUCT ORDER NUMBER: **MPCD-S22V**
PHONE: **800-398-5652**

Scale=1:1

STAMPEDE GLOBAL

TITLE: **MPCD-S22V**

SIZE DWG.N.O. **MPCD-S22V**