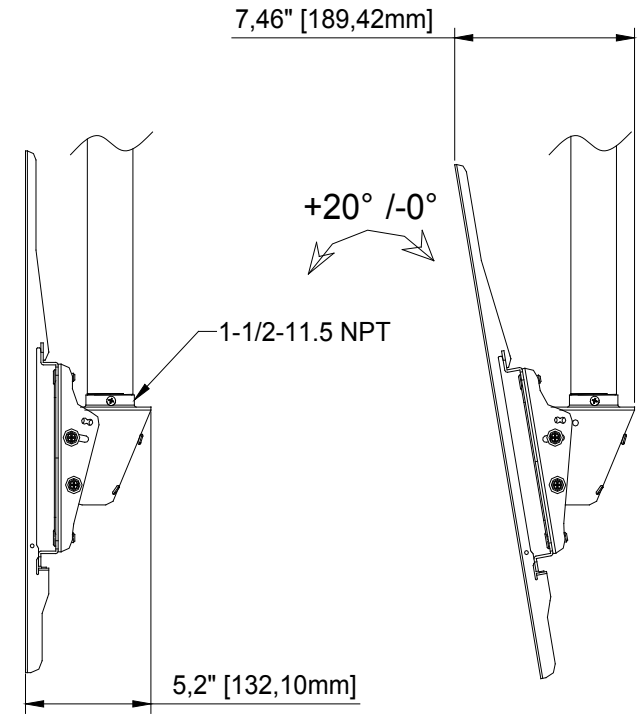
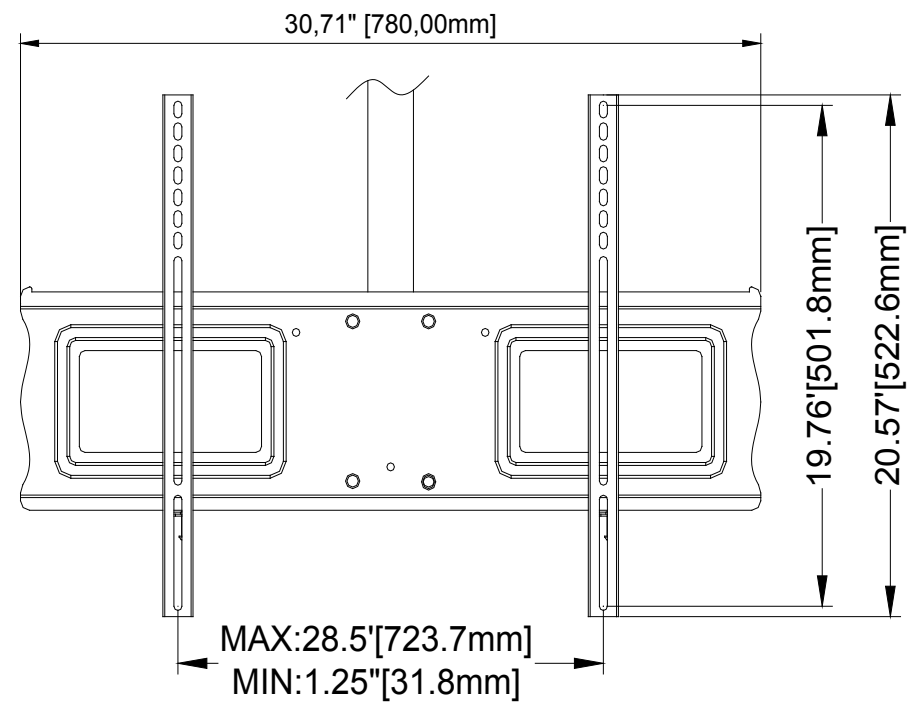


Maximum load rating: 200 lbs



THE INFORMATION CONTAINED IN THIS DRAWING IS THE SOLE PROPERTY OF STAMPEDE GLOBAL LLC ANY REPRODUCTION IN PART OR AS A WHOLE WITHOUT THE WRITTEN PERMISSION OF STAMPEDE GLOBAL LLC IS PROHIBITED



PRODUCT ORDER NUMBER: **MPC-L75U**  
PHONE: **800-398-5652**

Scale=1:1

STAMPEDE GLOBAL	
TITLE: <b>MPC-L75U</b>	
SIZE B	DWG.N.O. <b>MPC-L75U</b>