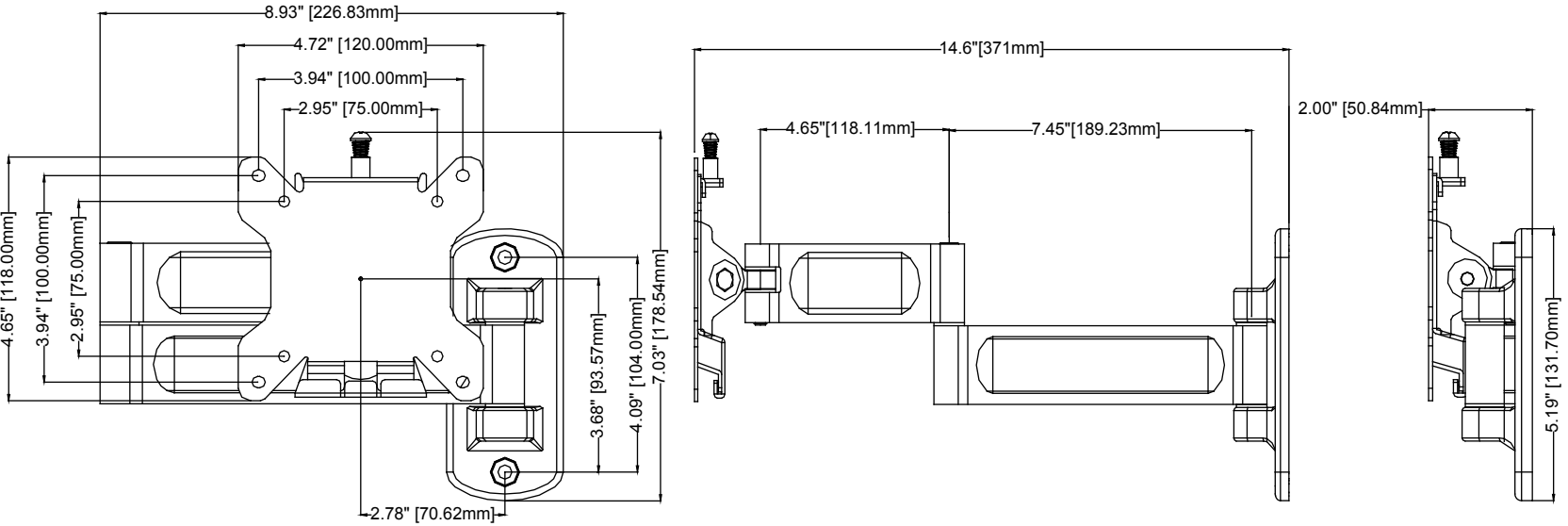
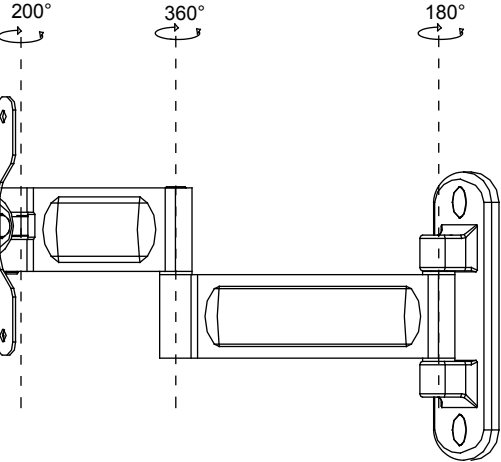


Maximum load rating: 30 lbs

Tilt:  
+15° /-15°



THE INFORMATION CONTAINED IN THIS DRAWING IS THE SOLE PROPERTY OF STAMPEDE GLOBAL LLC ANY REPRODUCTION IN PART OR AS A WHOLE WITHOUT THE WRITTEN PERMISSION OF CRIMSON AV LLC IS PROHIBITED



PRODUCT ORDER NUMBER: **MPA-S11V** Scale=1:1  
PHONE: **800-398-5652**

STAMPEDE GLOBAL	
TITLE: <b>MPA-S11V</b>	
SIZE B	DWG.N.O. <b>MPA-S11V</b>