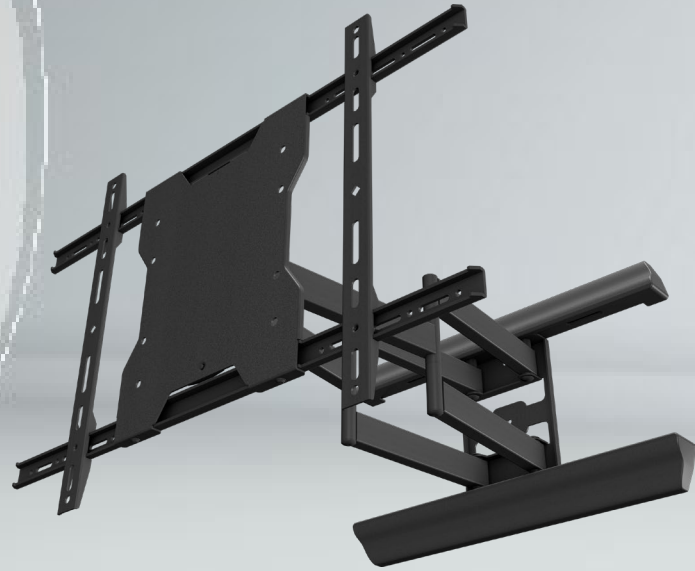


# MPA-L64UF Full Motion Articulating Wall Mount

## Universal Mount For 37-70" Displays

### Best In Class Articulating Wall Mount Solution

- Universal design
- VESA compatible
- Pre-tensioned tilt mechanism for smooth adjustment
- Post installation display leveling without use of tools
- Integrated cable management for clean look
- Pre-sorted hardware pack for easy installation to wood studs or concrete surfaces included



Model	Display Size	Max VESA	Total Load
MPA-L64UF	37" - 70"	600x400mm	130lb

**Universal Design**  
Fits any hole pattern up from 75mmx75mm up to 600x400mm.

**Post Installation Leveling**  
Designed with post installation leveling without the use of tools.

**Pre-Installed Security Screws**  
Easy hook and secure installation and pre-assembled securing screw makes installation fast and easy.

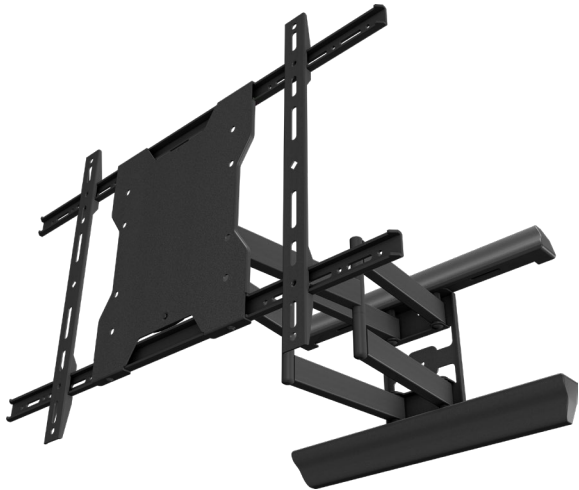
**Tilt**  
15° forward and 5° back tilt for optimal viewing angles.

**Full Range of Motion**  
Designed with 3 pivot joints for variable viewing angles.

**Mounting Hardware**  
Complete set of mounting hardware, labeled for ease of use and ready to go.

# MPA-L64UF Full Motion Articulating Wall Mount

For 37-70" displays



Attribute	Value
Display size	37" - 70"
Weight capacity	130lb (59kg)
Max mounting pattern	600x400mm
Pivot	41°
Tilt	+15°/-15°
Depth from wall	2.5" (63.5mm)
Max extension	21.4" (534mm)
Construction	Aluminum/high-grade cold rolled steel
Product finish	Scratch resistant epoxy powder coat
Color	Black
Model number	MPA-L64UF
Warranty	Limited lifetime

Articulating mount for 37" to 70" flat panel displays. Multiple joint arms hold display 2.5" from wall when retracted and 15.5" when fully extended. Smooth tilt adjustments of +15° (forward) and -5° (back) with a locking knob and 3° side-to-side roll facilitates a variety of viewing angles and perfect display positioning. Makes a secure installation quick and easy, simply hang the display and turn the pre-assembled securing screws to lock in place. Integrated cable management for clean look.

