

# MPWM-UNILU Wall Mounted Menu Board

## Unistrut Menu Board Brackets

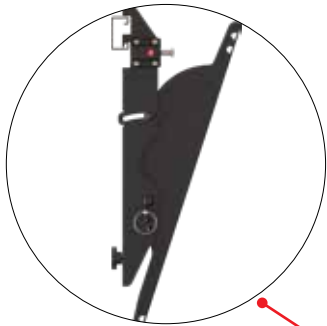
for 30" - 65"+ displays

### Quick Installation Unistrut Wall Brackets

- Installs directly to single track unistrut in minutes
- No tools needed for alignment
- Easily aligns on uneven surfaces
- 2 different wall brake position points
- Pre-set tilt angles with locking pins
- Supports displays up to 120lbs
- One-touch lock and release mechanism



Model	Display Size	VESA	Depth	Max Load
MPWM-UNILU	30" - 65"	1000x400mm	2.90"	120 lb



### TILT ADJUSTMENT

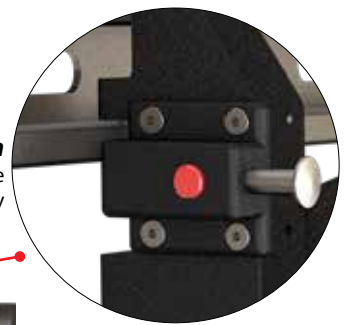
#### Up to +18° / 0° Tilt

Tilt function allows menu boards to tilt up to +18° forward for ideal screen viewing

### ONE TOUCH LOCK

#### Secure and Release with One Touch

Quick release-and-engage mechanisms secure the mount with one touch and keep the display locked in place.



### TOOL-FREE ADJUSTMENT

#### Micro-adjustments Without Tools

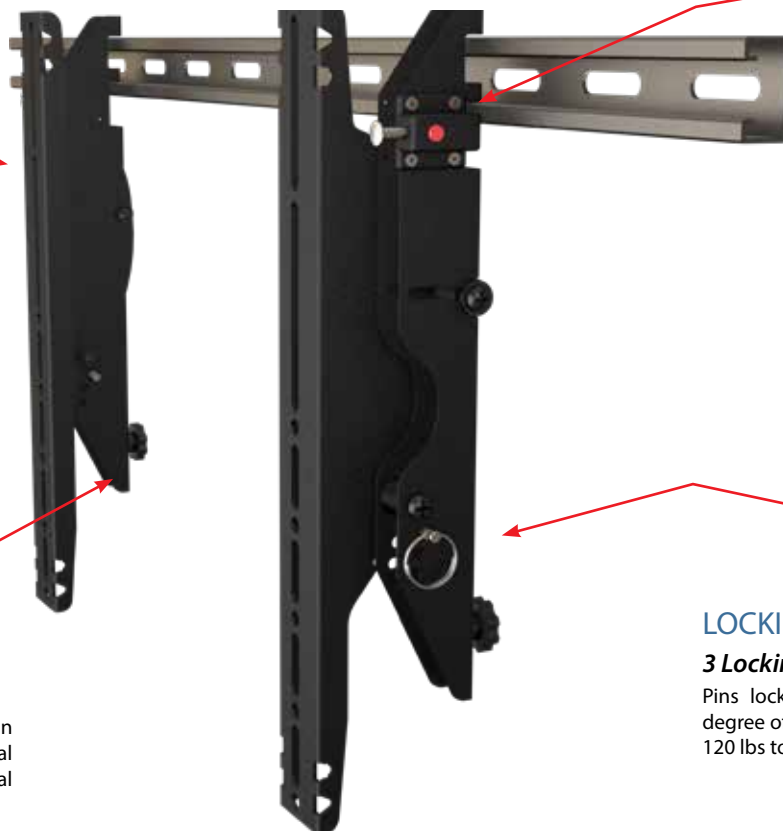
Large, easy to reach knobs allow you to align the displays without the need for additional tools, and allow for minute incremental adjustments.



### LOCKING TILT PINS

#### 3 Locking Tilt Points

Pins lock the menu board in the selected degree of tilt to allow for heavy displays up to 120 lbs to remain securely in alignment.



# MPWM-UNILU Unistrut Menu Board System

## For Wall Mounted Unistrut Configurations

for 30" - 65"+ displays



The MPWM-UNILU menu board flat panel display brackets provide an elegant solution to wall mounted unistrut applications. These brackets mount directly to 1-5/8" unistrut channels, allowing for fast and simple display installation. Plumb adjustment is achieved without the use of tools, ideal for situations involving uneven walls. Quick release locks engage and release with a single push and ensure a secure installation. Up to 18° of tilt allows for a variety of screen positioning for the perfect viewing angle. Supporting displays weighing up to 120lbs with VESA patterns of up to 400mm high, these are an ideal solution whenever an installation to a unistrut mounting surface is required.

Attribute	Value
Display size range	30" - 65"+
Weight capacity	120lb (54kg) per display
Max mounting pattern	401mm high
Orientation	landscape or portrait
Displays per configuration	unlimited
Tilt	+18°/-0°
Depth from wall	2.90" (74.50mm)
Depth Adjustment	±0.51"
Lateral adjustment	varies with screen
Mounting surface	1 - 5/8" unistrut channel
Construction	high-grade cold rolled steel
Product finish	scratch resistant epoxy powder coat
Color	black
Model number	MPWM-UNILU
Warranty	10 years

