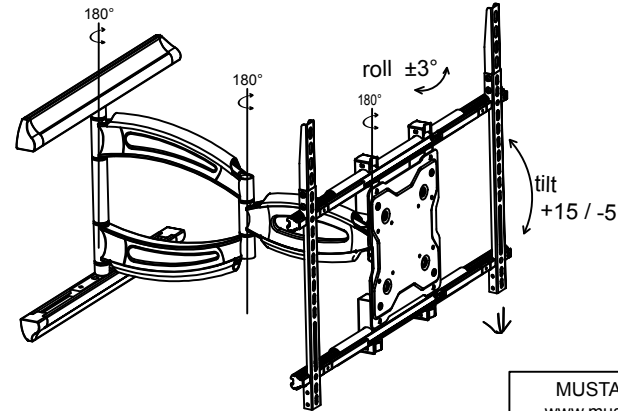
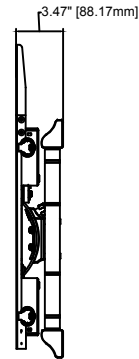
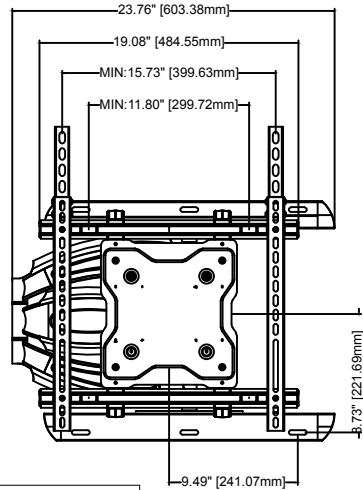
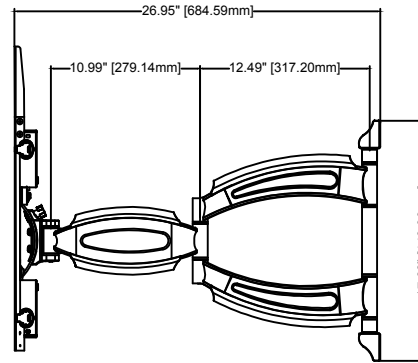
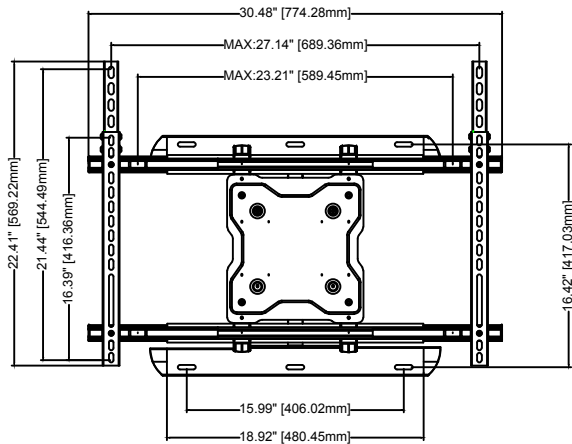


1 2 3 4 5 6 7 8

D  
C  
B  
A



Maximum load rating: 130 lbs

THE INFORMATION CONTAINED IN THIS DRAWING IS THE SOLE PROPERTY OF MUSTANG AV. ANY REPRODUCTION IN PART OR AS A WHOLE WITHOUT THE WRITTEN PERMISSION OF MUSTANG AV IS PROHIBITED



MUSTANG AV  
 PRODUCT ORDER NUMBER: MPA-L64UF  
 PHONE: 1-866-395-0370

Scale=1:1

MUSTANG AV www.mustangav.com	
TITLE:	MPA-L64UF
Part No.	MPA-L64UF

1 2 3 4 5 6 7 8