

MPP-S11V Pivoting Wall Mount

For 10-30" Displays

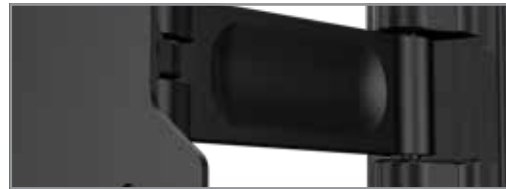
Best In Class Pivoting Wall Mount Solution

- VESA compatible 75x75mm, 100x100mm
- Pre-tensioned tilt mechanism for smooth adjustment
- Pre-assembled securing screw makes installation fast and easy
- Integrated cable management for clean look
- UL Approved



Model	Display Size	Max VESA	Total Load
MPP-S11V	10" - 30"	100 x100mm	30lb

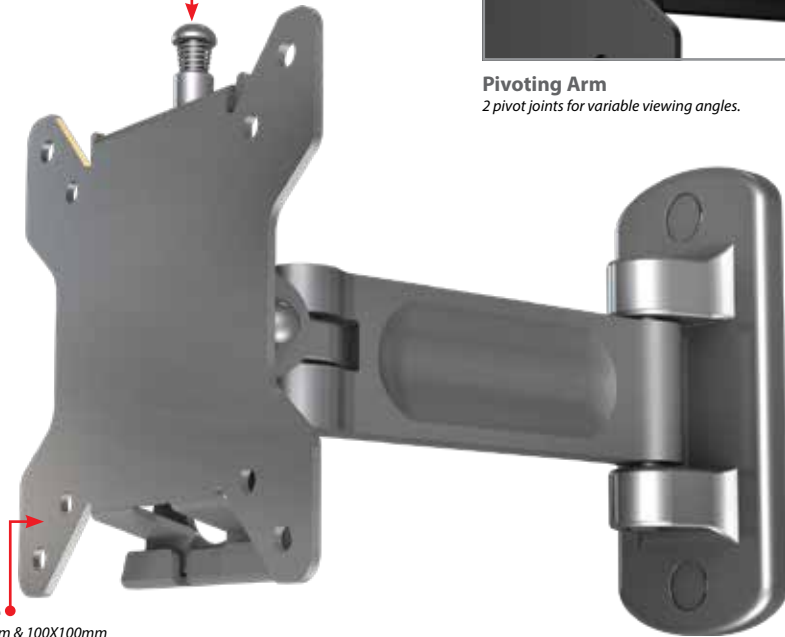
Pre-Installed Securing Screw
Display simply hooks in place. Pre-assembled securing screw makes installation fast and easy.



Pivoting Arm
2 pivot joints for variable viewing angles.



Tilt
Pre-tensioned tilt mechanism allows 15° forward and 15° backward tilt for optimal viewing angles.



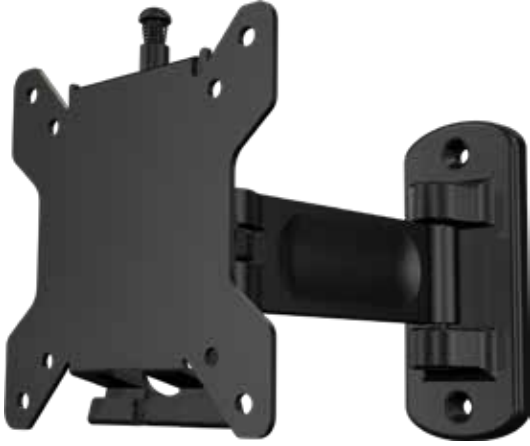
VESA Compatible
Compatible with 75X75mm & 100X100mm compatible.



Cord Management
Integrated cord management for clutter-free installation.

MPP-S11V Pivoting Wall Mount

For 10-30" displays



Attribute	Value
Display size	10" - 30"
Weight capacity	30lb (14kg)
Max mounting pattern	100x100mm
Pivot	180°
Tilt	+15°/-15°
Depth from wall	2.0" (50.8mm)
Max extension	7.2" (182.5mm)
Construction	Aluminum/high-grade cold rolled steel
Product weight	1.5lb (0.7kg)
Product finish	Scratch resistant epoxy powder coat
Color	Black
Model number	MPP-S11V
Warranty	Limited lifetime

Pivoting mount for 10" to 30" flat panel displays. Swinging arm holds display 2" from wall and extends up to 7.2". Smooth tilt adjustments of 15° forward and 15° back for a variety of viewing angles. Makes a secure installation quick and easy, simply hang the display and turn the pre-assembled securing screw to lock in place. Integrated cable management for clean look.

