

MPP-M22VF Pivoting Wall Mount

For 13-49" Displays

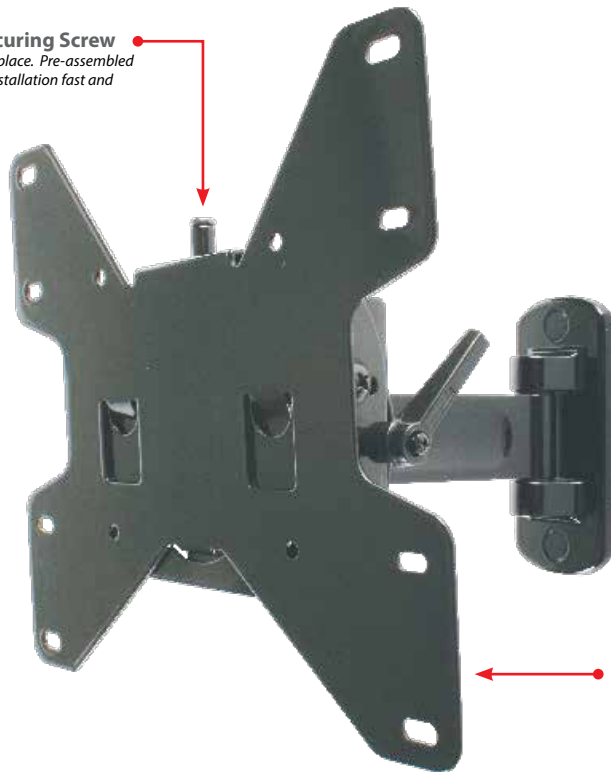
Best In Class Pivoting Wall Mount Solution

- VESA compatible 75x75mm, 100x100mm, 200x100mm
- Pre-tensioned tilt mechanism for smooth adjustment
- Pre-assembled securing screw makes installation fast and easy
- Integrated cable management for clean look



Model	Display Size	Max VESA	Total Load
MPP-M22VF	13" - 49"	200 x100mm	30lb

Pre-Installed Securing Screw
Display simply hooks in place. Pre-assembled securing screw makes installation fast and easy.



Pivoting Arm
2 pivot joints for variable viewing angles.



Tilt
Pre-tensioned tilt mechanism allows 15° forward and 5° backward tilt for optimal viewing angles.

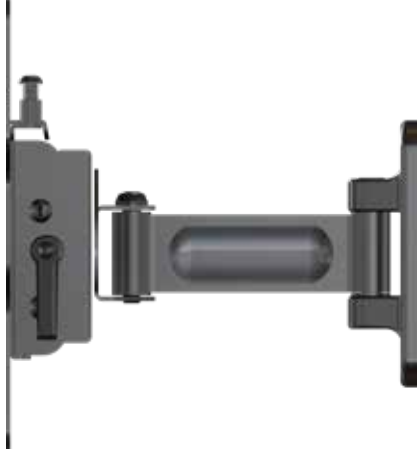


Cord Management
Integrated cord management for clutter-free installation.

VESA Compatible
Fits VESA hole patterns 75x75mm and 100x100mm 100x200mm and 200x200mm.

MPP-M22VF Pivoting Wall Mount

For 13-49" displays



Pivoting mount for 13" to 49" flat panel displays. Swinging arm holds display 2.8" from wall and extends up to 7.9". Smooth tilt adjustments of 15° forward and 5° back with a locking knob for a variety of viewing angles. 5° side to side roll for perfect display positioning. Makes a secure installation quick and easy, simply hang the display and turn the pre-assembled securing screw to lock in place. Integrated cable management for clean look.

Attribute	Value
Display size	13" - 49"
Weight capacity	80lb (36kg)
Max mounting pattern	200x200mm
Pivot	180°
Roll (side to side)	5°
Tilt	+15°/-15°
Depth from wall	2.8" (72mm)
Max extension	7.9" (200mm)
Construction	Aluminum/high-grade cold rolled steel
Product weight	3.7lb (1.7kg)
Product finish	Scratch resistant epoxy powder coat
Color	Black
Model number	MPP-M22VF
Warranty	Limited lifetime

