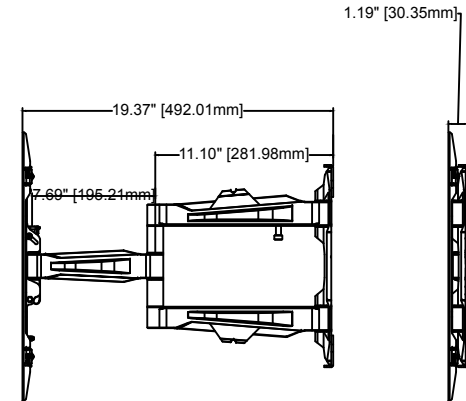
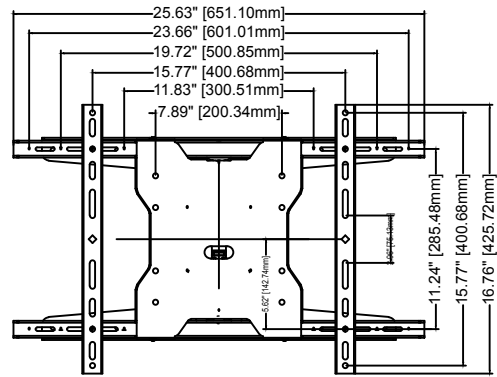
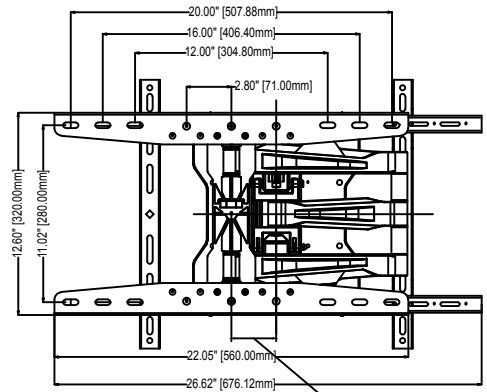
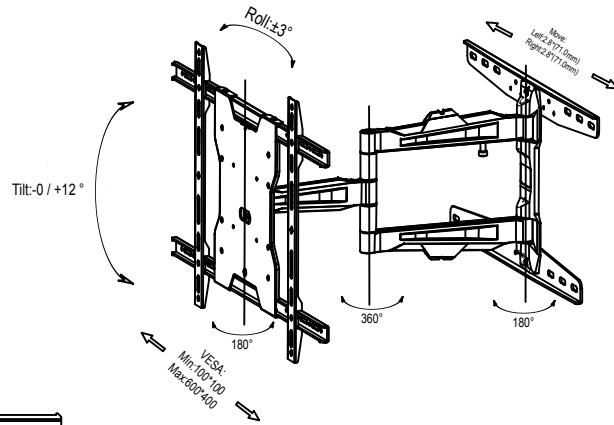


1 2 3 4 5 6 7 8

Maximum load rating: 80 lbs



2.81" [71.28mm]

THE INFORMATION CONTAINED IN THIS DRAWING IS THE SOLE PROPERTY OF MUSTANG V. ANY REPRODUCTION IN PART OR AS A WHOLE WITHOUT THE WRITTEN PERMISSION OF MUSTANG AV IS PROHIBITED



MUSTANG AV
 PRODUCT ORDER NUMBER: **MPAUW-L64U**
 PHONE: **1-866-395-0370**

Scale=1:1

| | |
|---------------------------------|-------------------|
| MUSTANG AV www.mustangav.com | |
| TITLE: | MPAUW-L64U |
| DATE No. | MPAUW-L64U |

1 2 3 4 5 6 7 8

D
C
B
A