

1

2

3

4

5

6

7

8

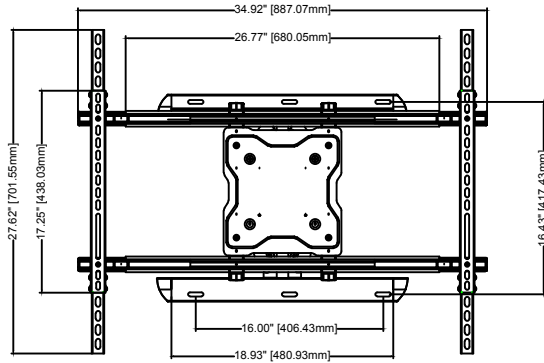
Maximum load rating: 200 lbs

D

D

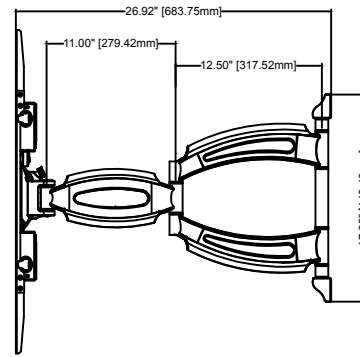
C

C



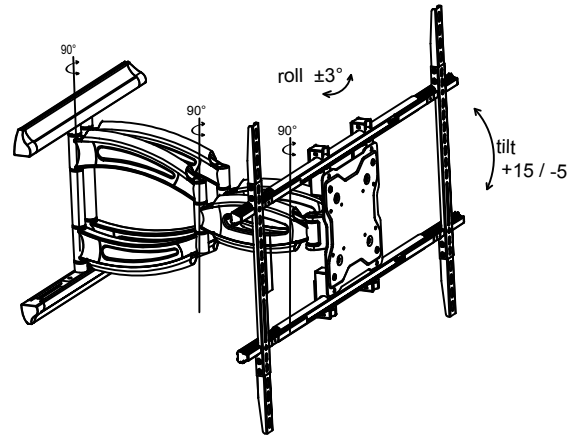
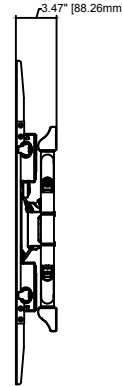
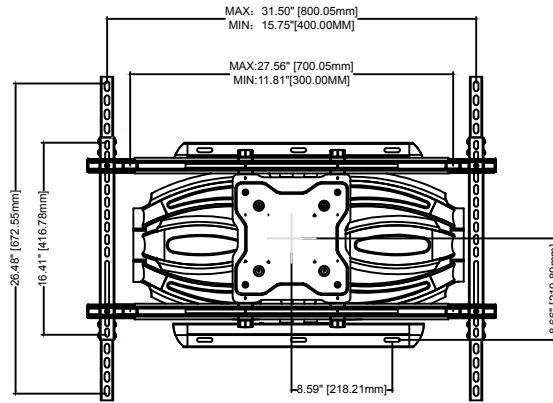
Up
+12.7

Down
-12.7



B

B



A

A

THE INFORMATION CONTAINED IN THIS DRAWING IS THE SOLE PROPERTY OF MUSTANG AV. ANY REPRODUCTION IN PART OR AS A WHOLE WITHOUT THE WRITTEN PERMISSION OF MUSTANG AV IS PROHIBITED



MUSTANG V

PRODUCT ORDER NUMBER: **MPA-X86U**
 PHONE: 1-866-395-0370

Scale=1:1

Mustang AV www.mustangav.com	
TITLE:	MPA-X86U
SIZE DWG. NO.	MPA-X86U

1

2

3

4

5

6

7

8