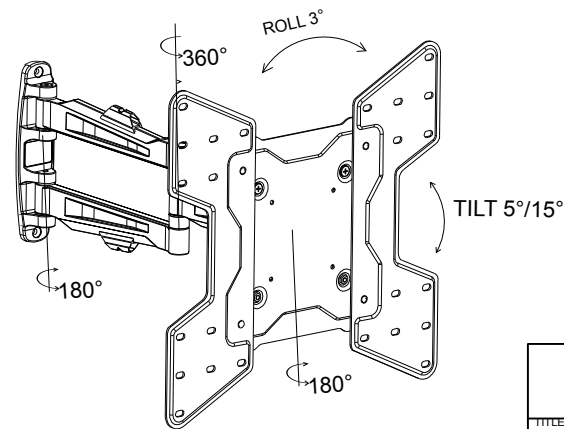
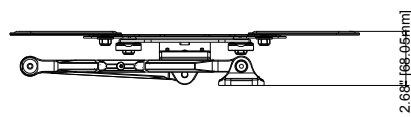
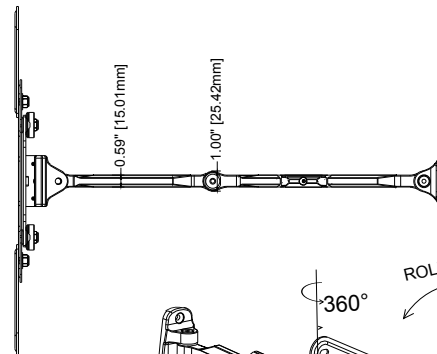
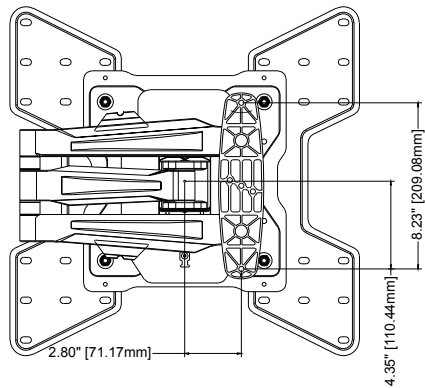
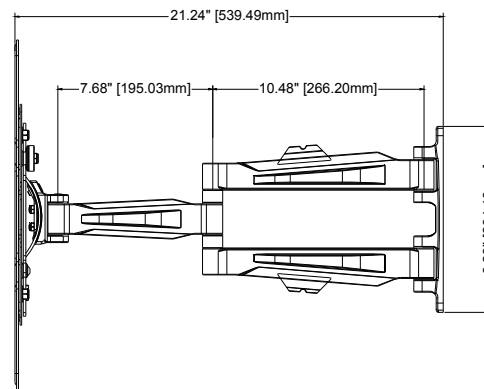
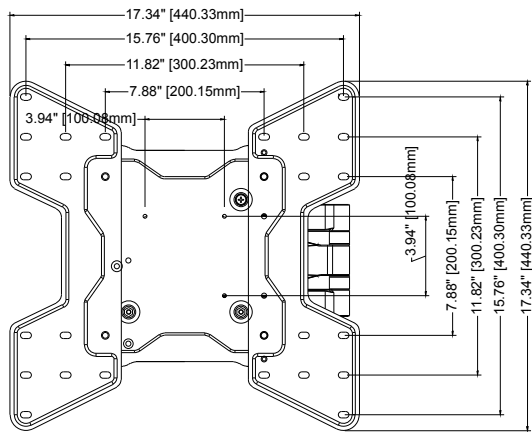


Maximum load rating: 80 lbs



THE INFORMATION CONTAINED IN THIS DRAWING IS THE SOLE PROPERTY OF MUSTANG AV. ANY REPRODUCTION IN PART OR AS A WHOLE WITHOUT THE WRITTEN PERMISSION OF MUSTANG AV IS PROHIBITED



**MUSTANG AV**

PRODUCT ORDER NUMBER: **MPA-M44V**  
 PHONE: **1-866-395-0370**

**Scale=1:1**

MUSTANG AV  
[www.mustangav.com](http://www.mustangav.com)

TITLE:  
**MPA-M44V**

SIZE DWG. No.  
**MPA-M44V**