

1 2 3 4 5 6 7 8

D

D

C

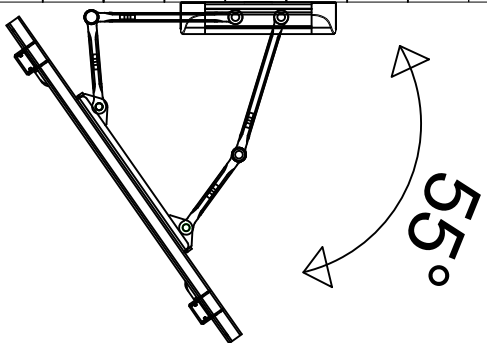
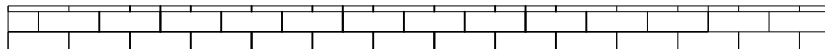
C

B

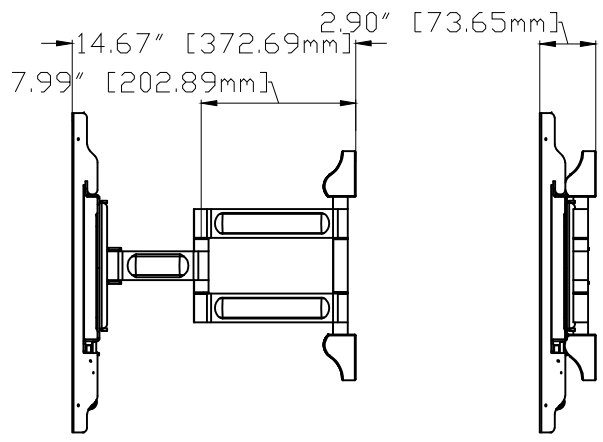
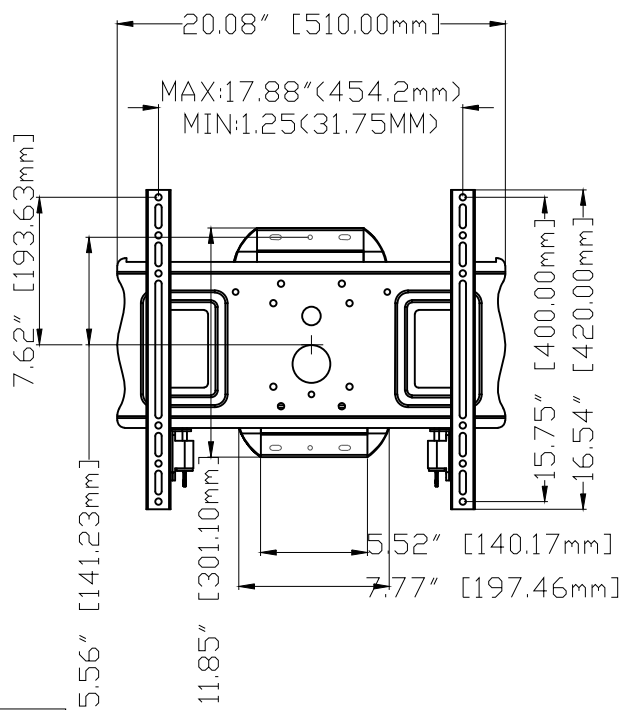
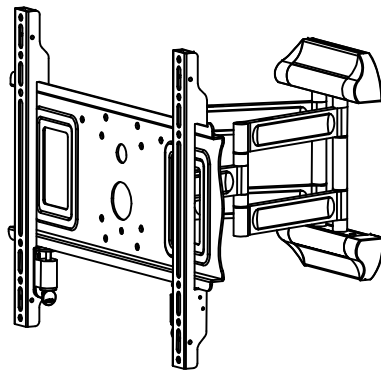
B

A

A



Maximum load rating: 150 lbs



THE INFORMATION CONTAINED IN THIS DRAWING IS THE SOLE PROPERTY OF MUSTANG AV. ANY REPRODUCTION IN PART OR AS A WHOLE WITHOUT THE WRITTEN PERMISSION OF MUSTANG AV IS PROHIBITED



MUSTANG AV

PRODUCT ORDER NUMBER: **MPA-M44ULL**
 PHONE: **1-866-395-0370**

Scale=1:1

MUSTANG AV www.mustangav.com	
TITLE:	MPA-M44ULL
SIZE B	MPA-M44ULL

1 2 3 4 5 6 7 8