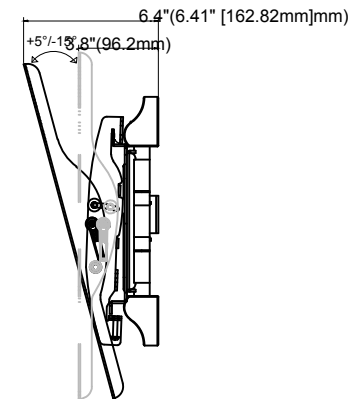
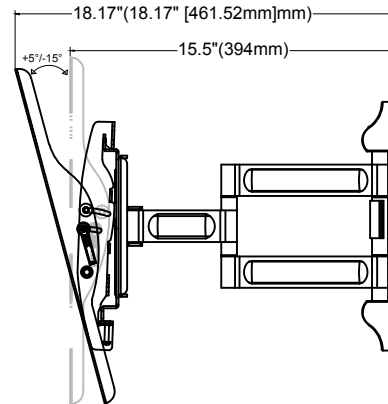
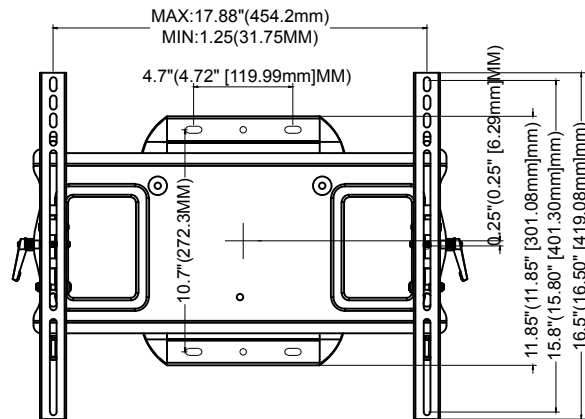
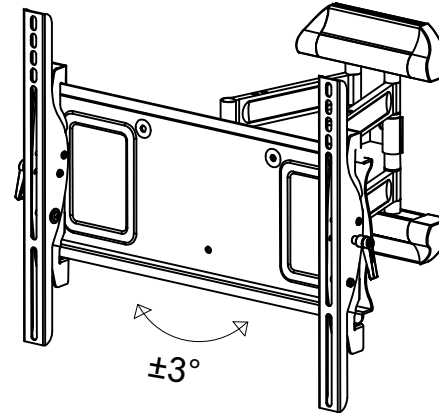
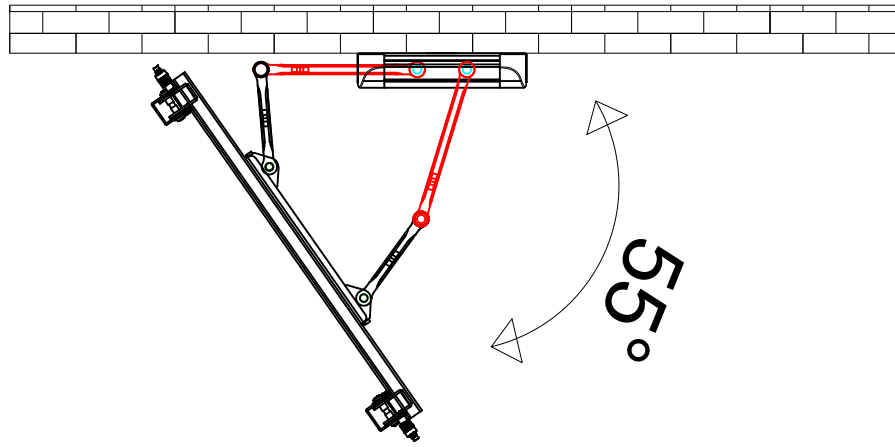


1 2 3 4 5 6 7 8

Maximum load rating: 100 lbs



THE INFORMATION CONTAINED IN THIS DRAWING IS THE SOLE PROPERTY OF MUSTANG AV. ANY REPRODUCTION IN PART OR AS A WHOLE WITHOUT THE WRITTEN PERMISSION OF MUSTANG AV IS PROHIBITED



**MUSTANG AV**  
 PRODUCT ORDER NUMBER: **MPA-M44U**  
 PHONE: **1-866-395-0370**

Scale=1:1

MUSTANG AV  
[www.mustangav.com](http://www.mustangav.com)

TITLE:  
**MPA-M44U**

DWG. NO.  
**MPA-M44U**

1 2 3 4 5 6 7 8