

MPA-M22V Full Motion Articulating Wall Mount

For 13-49" Displays

Best In Class Articulating Wall Mount Solution

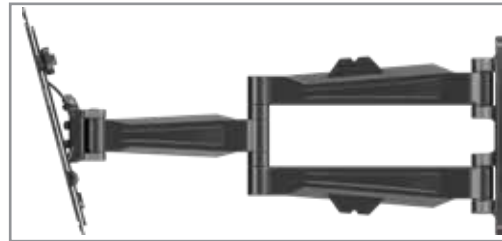
- OSHPD approved for seismic safety
- VESA compatible 100x100mm, 200x100mm, 200x200mm
- Optional AD400 extends compatibility up to 400x400mm
- Multiple attachment points for different mounting surfaces offers additional safety
- Smooth variable tilt from 15° forward to 5° back
- Integrated cable management for clean look



Model	Display Size	Max VESA	Total Load
MPA-M22V	13" - 49"	200 x200mm	80lb

Pre-Installed Securing Screw

Display simply hooks in place. Pre-assembled securing screw makes installation fast and easy.



Full Range of Motion

3 pivot joints for variable viewing angles.

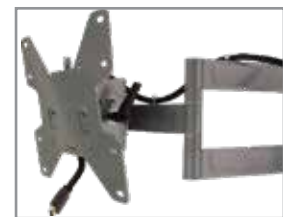


Tilt

Pre-tensioned tilt mechanism allows 15° forward and 5° backward tilt for optimal viewing angles.

VESA Compatible

Fits VESA hole patterns 75x75mm, 100x100mm, 200x100 and 200x200mm.



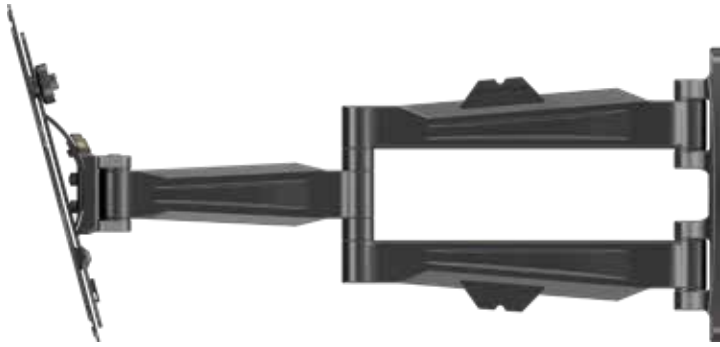
Cord Management

Integrated cord management for clutter-free installation.

MPA-M22V Full Motion Articulating Wall Mount

For 13-49" displays

Mustang AV
www.mustangav.com



Attribute	Value
Display size	13" - 49"
Weight capacity	80lb (36kg)
Max mounting pattern	200x200mm
Pivot	180°
Tilt	+15°/-15°
Depth from wall	2.5" (63.5mm)
Max extension	21" (533mm)
Construction	Aluminum/high-grade cold rolled steel
Product weight	9.0lb (4.1kg)
Product finish	Scratch resistant epoxy powder coat
Color	Black
Model number	MPA-M22V
Warranty	Limited lifetime

Articulating mount for 13" to 49" displays. Multiple joint arm holds display 2.5" from wall when retracted and 21" when fully extended. Smooth tilt adjustments of +15° (forward) and -5° (back) with a locking knob and 3° side-to-side roll facilitates a variety of viewing angles and perfect positioning. Three attachment points for wood studs and four attachment points for concrete walls provide additional security. Integrated cable management for clean look.

