

1

2

3

4

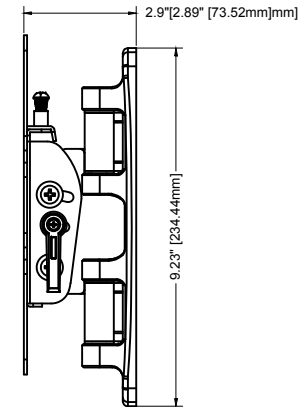
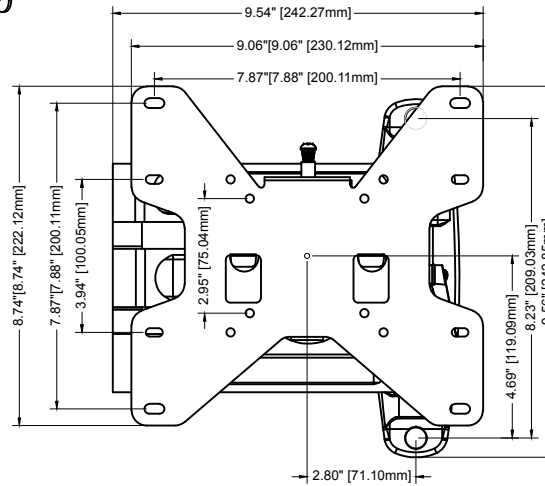
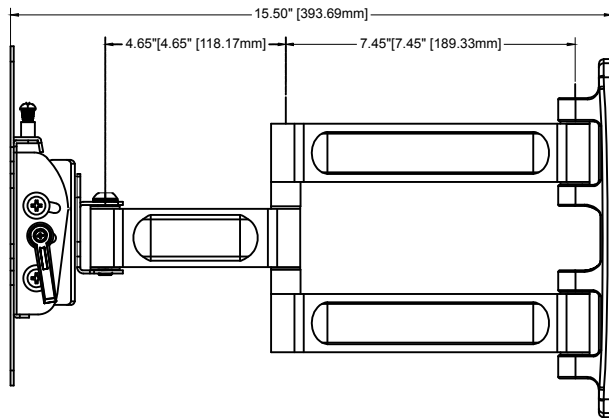
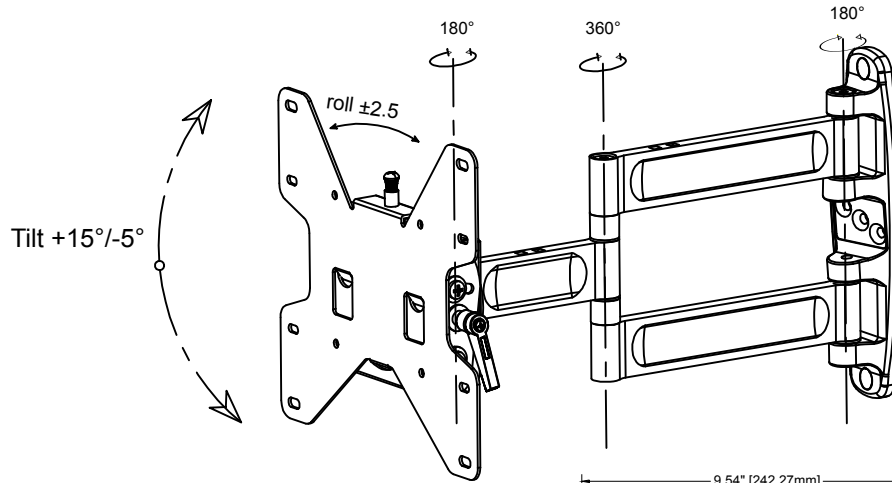
5

6

7

8

Maximum load rating: 80 lbs



D

C

B

A

D

C

B

A

THE INFORMATION CONTAINED IN THIS DRAWING IS THE SOLE PROPERTY OF MUSTANG V. ANY REPRODUCTION IN PART OR AS A WHOLE WITHOUT THE WRITTEN PERMISSION OF MUSTAG AV IS PROHIBITED



MUSTANG AV

PRODUCT ORDER NUMBER:
PHONE: 1-866-395-0370

Scale=1:1

Mustang AV www.mustangav.com	
TITLE: MPA-M22VF	
SIZE: B	DWG. No. MPA-M22VF

1

2

3

4

5

6

7

8