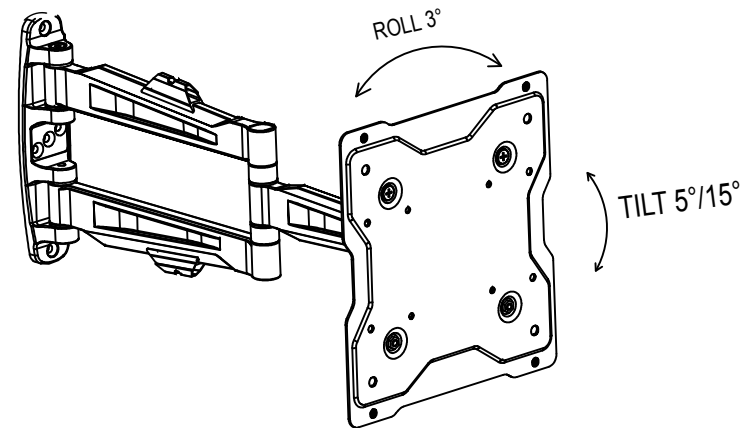
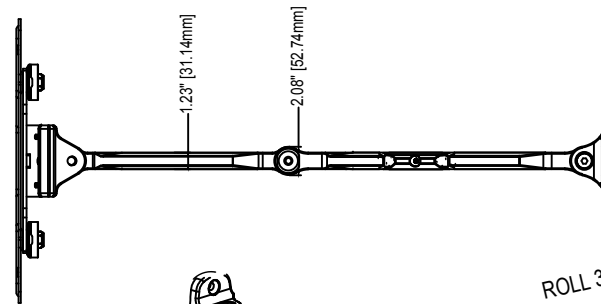
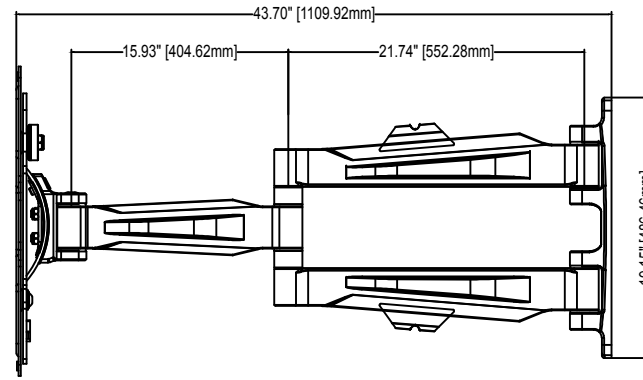
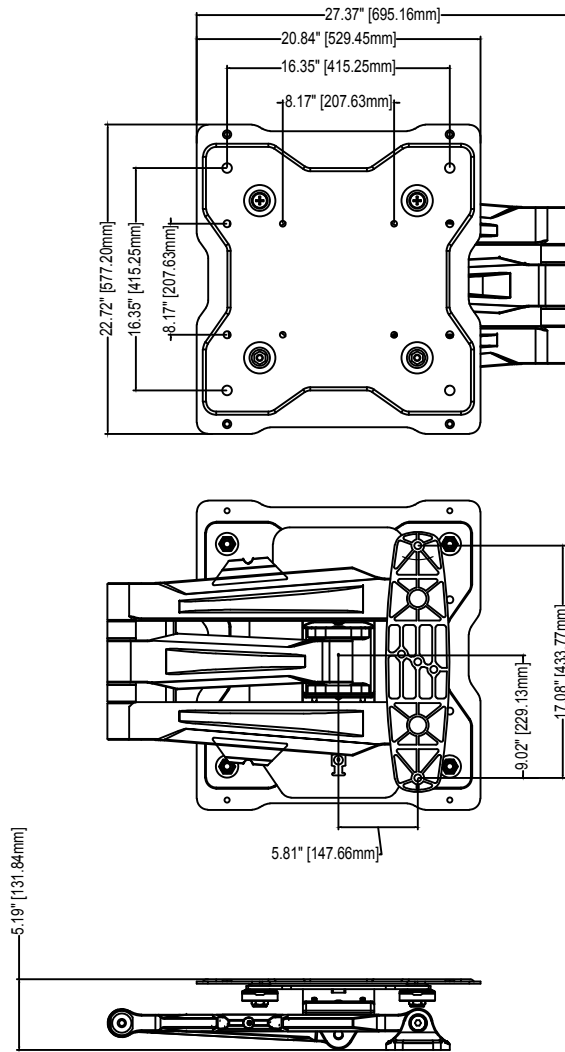


Maximum load rating: 80 lbs



THE INFORMATION CONTAINED IN THIS DRAWING IS THE SOLE PROPERTY OF MUSTANG AV . ANY REPRODUCTION IN PART OR AS A WHOLE WITHOUT THE WRITTEN PERMISSION OF MUSTANG AV IS PROHIBITED



MUSTANG AV

PRODUCT ORDER NUMBER:
PHONE: 1-866-395-0370

Scale=1:1

MUSTANG AV www.mustangav.com	
TITLE: MPA-M22V	
DWG No. B	MPA-M22V