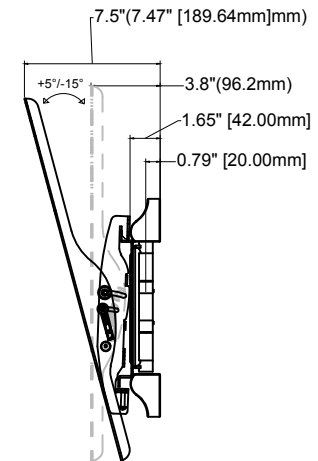
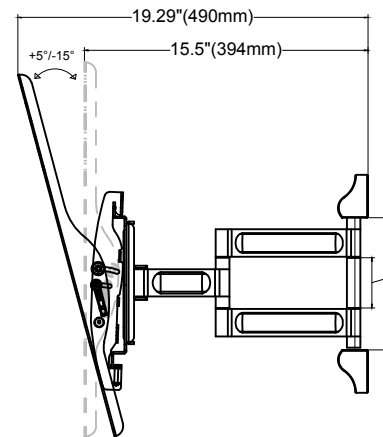
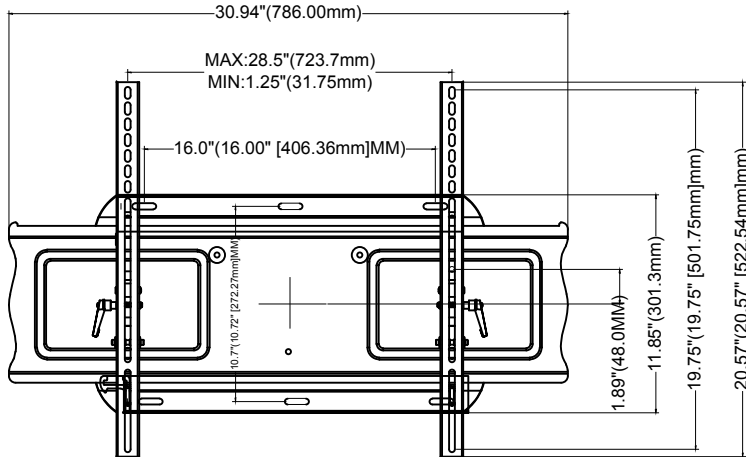
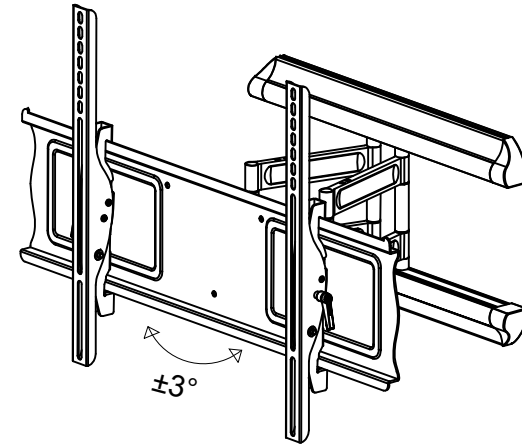
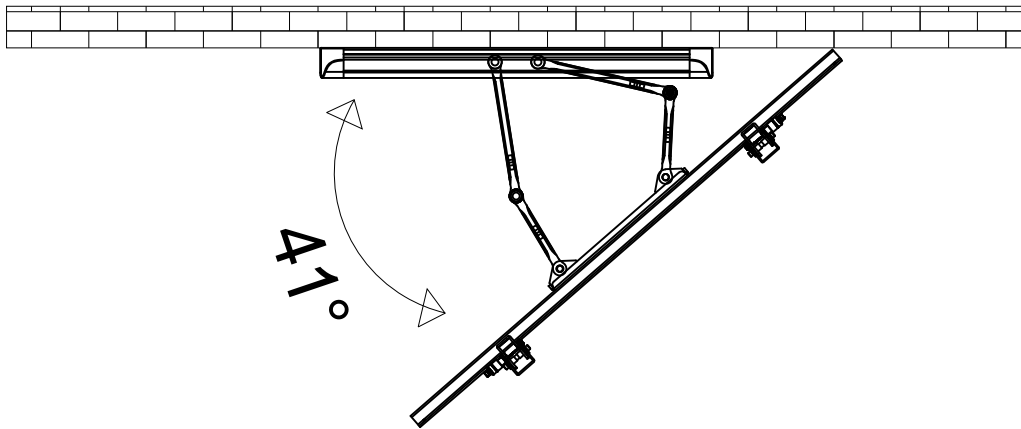


1 2 3 4 5 6 7 8

Maximum load rating: 130 lbs



THE INFORMATION CONTAINED IN THIS DRAWING IS THE SOLE PROPERTY OF MUSTANG AV. ANY REPRODUCTION IN PART OR AS A WHOLE WITHOUT THE WRITTEN PERMISSION OF MUSTANG AV IS PROHIBITED



**MUSTANG AV**

PRODUCT ORDER NUMBER: **MPA-L75U**

PHONE: **1-866-395-0370**

Scale=1:1

MUSTANG AV  
 www.mustangav.com

TITLE:  
**MPA-L75U**

REV. No.  
**MPA-L75U**

1 2 3 4 5 6 7 8