

MPT-X116U Tilting Wall Mount

Universal mount for 46-90" displays

Best In Class Tilting Wall Mount Solution

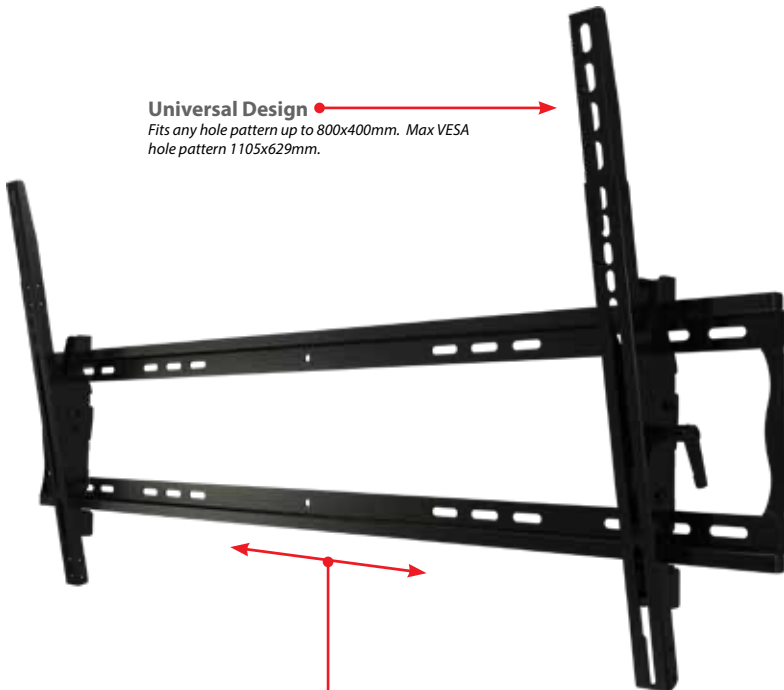
- Universal design
- VESA compatible
- Pre-tensioned tilt mechanism for smooth adjustment
- Open wall plate allows easy access for wiring
- Lateral shift for perfect placement
- Pre-sorted hardware pack for easy installation to wood studs or concrete surfaces included



SKU	Display Size	Max VESA	Depth	Max Load
MPT-X116U	46"-90"	800x400mm	2.09"	250lb

Universal Design

Fits any hole pattern up to 800x400mm. Max VESA hole pattern 1105x629mm.



Lateral Adjustment

Lateral adjustment functionality for positioning display in the right spot on the wall.



Tilt for perfect viewing

Pre-tensioned tilt mechanism allows for smooth tilt adjustment of 15° forward and 5° back.



Pre-Installed Securing Screws

Easy hook and secure installation and pre-assembled securing screw makes installation fast and easy.



Mounting Hardware

Complete set of screen mounting hardware, labeled for ease of use and ready to go.

MPT-X1 16U Tilting Wall Mount

Universal mount for 46-90" displays



Attribute	Value
Display size	46" - 90"
Lateral adjustment	Varies with display
Weight capacity	250lb (114kg)
Max mounting pattern	1105X629mm
Depth	2.09" (53mm)
Tilt	+15°/-5°
Construction	High-grade cold rolled steel
Color	Black
Warranty	Limited lifetime
Product Weight	9.3lb (3.4kg)

Universal tilting mount for 46" to 90" flat panel displays. Adjustable tilt wall mount with Universal hole pattern to fit a wide selection of displays. Smooth tilt adjustments of 8.5° forward and 5° back with a locking knob for a variety of viewing angles. Makes a secure installation quick and easy, simply hang the display and turn the pre-assembled securing screw to lock in place. Open wall plate design provides easy access to wiring.

