

MPT-M44UA Tilting Wall Mount With Post-Install Leveling

Universal mount for 26-55" displays

Best In Class Tilting Mount Solution

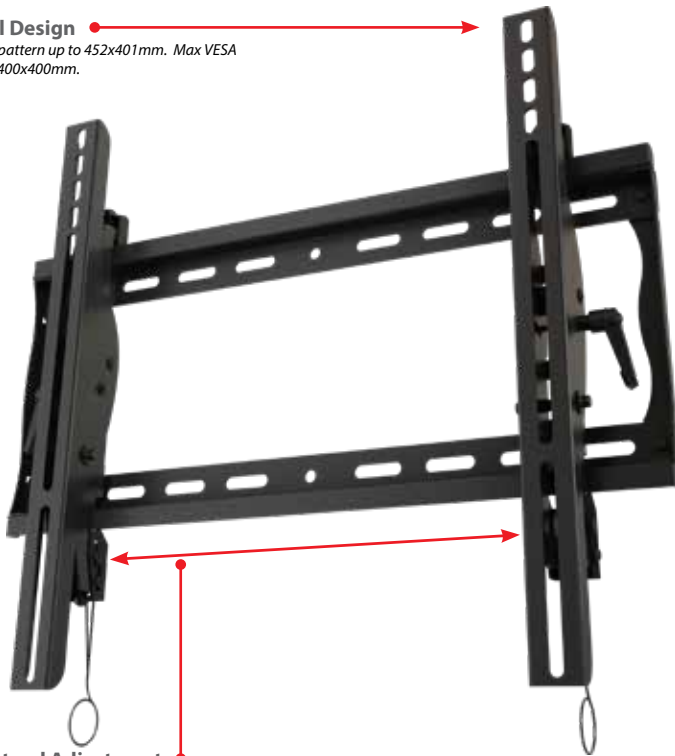
- Post-installation leveling
- Click in place display placement without use of tools
- Optional securing screws locks release latch for additional security
- Universal design
- VESA compatible
- Low-profile, holds display close to wall for a clean look
- Open wall plate allows easy access for wiring
- Lateral shift for perfect placement
- Pre-sorted hardware pack for easy installation to wood studs or concrete surfaces included



SKU	Display Size	Max VESA	Depth	Max Load
MPT-M44UA	26"-55"	400x400mm	2.2" (55.8mm)	150lb

Universal Design

Fits any hole pattern up to 452x401mm. Max VESA hole pattern 400x400mm.



Lateral Adjustment

Lateral adjustment functionality for positioning display in the right spot on the wall.



Tilt for perfect viewing

Pre-tensioned tilt mechanism allows for smooth tilt adjustment of 15° forward and 5° back.



Pre-Installed Securing Screws

Easy hook and secure installation and pre-assembled securing screw makes installation fast and easy.

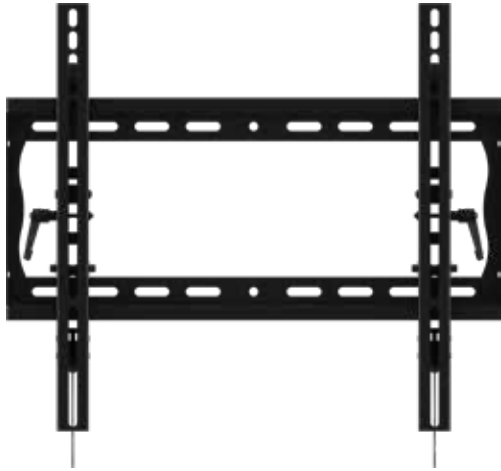


Mounting Hardware

Complete set of mounting hardware, labeled for ease of use and ready to go.

MPT-M44UA Tilting Wall Mount

Universal mount with post-install leveling



Attribute	Value
Display size	26" - 55"
Lateral adjustment	Varies with display
Weight capacity	150lb (68kg)
Max mounting pattern	452x401mm
Depth	2.2" (55.8mm)
Tilt	+15°/-5°
Construction	High-grade cold rolled steel
Color	Black
Warranty	Limited lifetime
Product Weight	5.7lb (2.6kg)

Universal tilting wall mount for 26" to 55" displays with post installation leveling. Adjustable tilt wall mount with Universal hole pattern to fit a wide selection of displays. Smooth tilt adjustment of 15° forward and 5° back with a ratcheting knob for a variety of viewing angles. Post-installation leveling feature allows for perfect display positioning even when ceiling is not perfectly level. Click in place display placement requires no tools to secure the display on the wall. Makes a secure installation quick and easy, simply hang the display and turn the pre-assembled securing screw to lock in place. Open wall plate design provides easy access to wiring.

