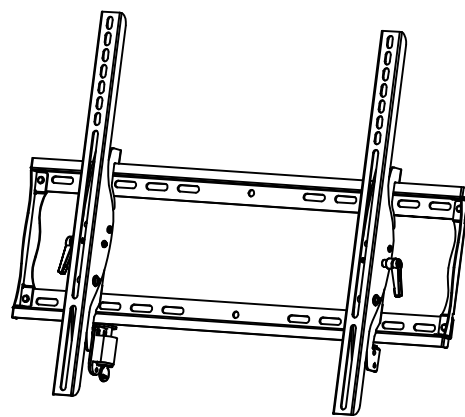
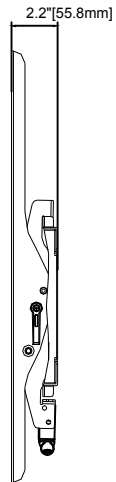
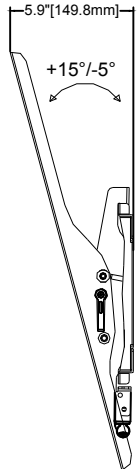
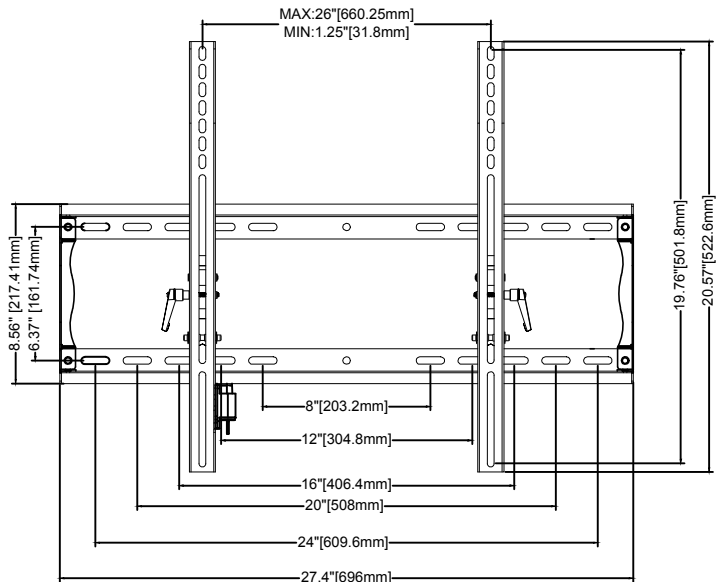


1 2 3 4 5 6 7 8

Maximum load rating: 200 lbs



D  
C  
B  
A

D  
C  
B  
A

THE INFORMATION CONTAINED IN THIS DRAWING IS THE SOLE PROPERTY OF MUSTANG AV. ANY REPRODUCTION IN PART OR AS A WHOLE WITHOUT THE WRITTEN PERMISSION OF MUSTANG AV IS PROHIBITED



MUSTANG AV

PRODUCT ORDER NUMBER: MPT-L65UL  
PHONE: 1-866-395-0370

MUSTANG AV www.mustangav.com	
TITLE:	MPT-L65UL
SIZE DWG No.	MPT-L65UL

Scale=1:1

1 2 3 4 5 6 7 8