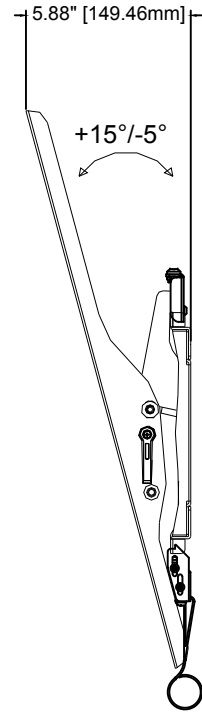
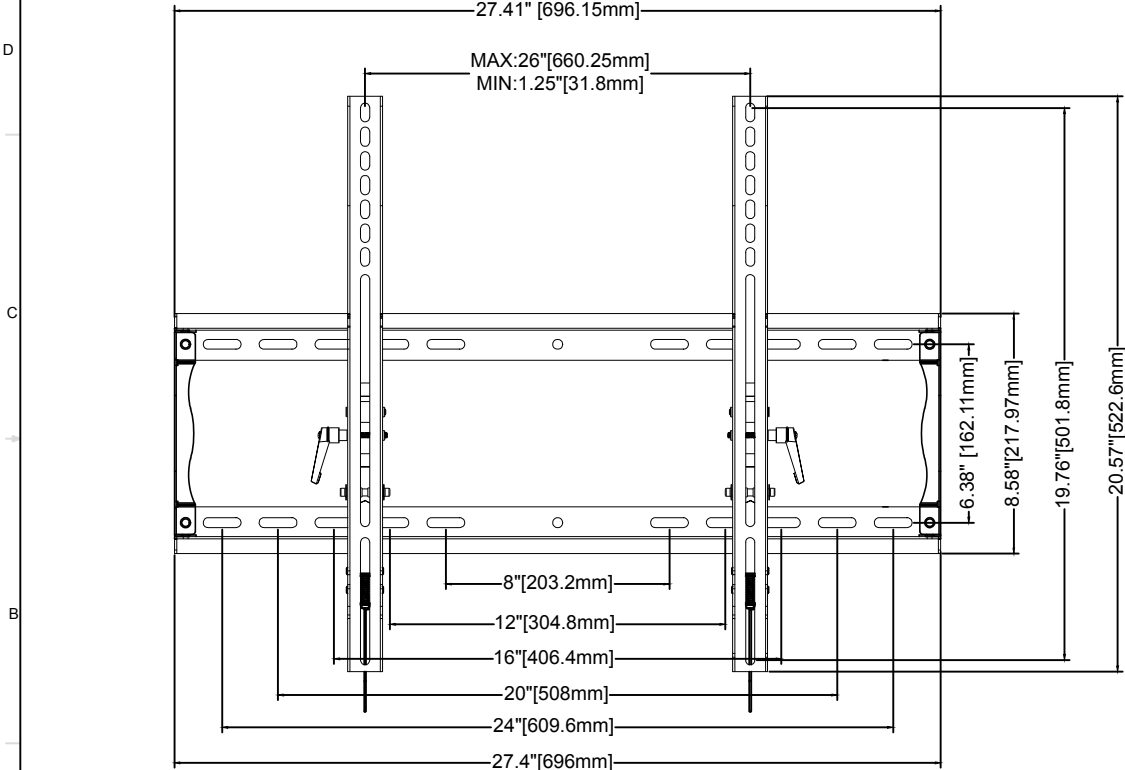
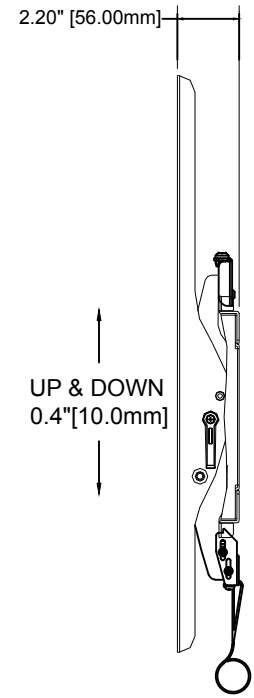


1 2 3 4 5 6 7 8



Maximum load rating: 200 lbs



THE INFORMATION CONTAINED IN THIS DRAWING IS THE SOLE PROPERTY OF MUSTANG AV. ANY REPRODUCTION IN PART OR AS A WHOLE WITHOUT THE WRITTEN PERMISSION OF MUSTANG AV IS PROHIBITED



**MUSTANG AV**  
 PRODUCT ORDER NUMBER: **MPT-L65UA**  
 PHONE: **1-866-395-0370**

|                                 |                  |
|---------------------------------|------------------|
| Mustang Av<br>www.mustangav.com |                  |
| TITLE: <b>MPT-L65UA</b>         |                  |
| SIZE<br>DWG.NO.<br>B            | <b>MPT-L65UA</b> |

Scale=1:1

1 2 3 4 5 6 7 8