

MPFU-M44U Ultra-Thin Flat Wall Mount

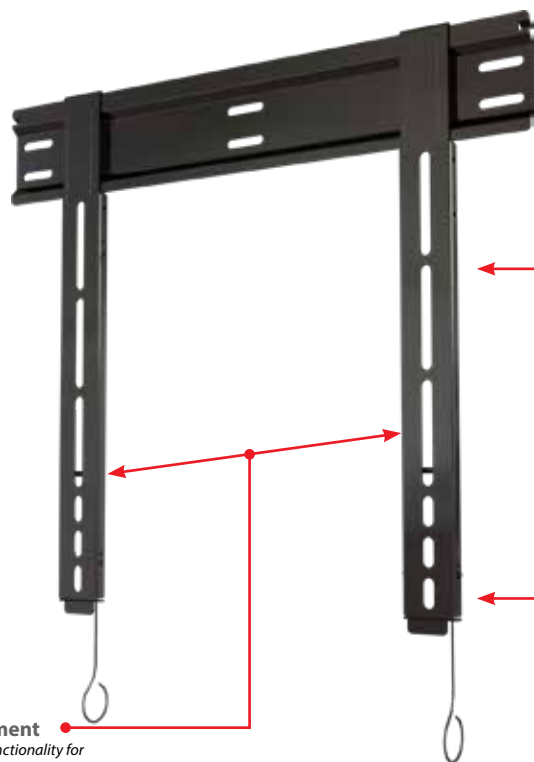
Universal mount for 26-55" displays

Best in Class Flat Wall Mounting Solution

- Universal design
- VESA compatible
- Ultra-flat design holds display only 0.39" from wall for a clean look
- Quick and secure "hook and click" installation
- Lateral shift for perfect placement
- Built-in kickstand feature allows easy access for wiring
- Pre-sorted hardware pack for easy installation to wood studs or concrete surfaces included



SKU	Display Size	Max VESA	Depth	Max Load
MPFU-M44U	26" - 55"	400 x 400mm	0.39"	80lb



Lateral Adjustment
Lateral adjustment functionality for positioning display in the right spot on the wall.

Universal Design
Fits any hole pattern up to 401x401mm.
Max VESA hole pattern 400x400mm.



Kickstand and Bracket Release
Kickstand holds display away from wall for easy cord installation then folds back when not in use. Bracket release cord lets you unlock bracket positions easily.



Securing Clip
Attached clip secures brackets in place for no slip installation.



Mounting Hardware
Complete set of mounting hardware, labeled for ease of use and ready to go.

MPFU-M44U Ultra Thin Flat Wall Mount

Universal ultra-thin flat wall mount for 26-55" displays



Attribute	Value
Display size	26" - 55"
Weight capacity	80lbs (36kg)
Max mounting pattern	400x400mm
Lateral adjustment	Varies with display
Depth	0.39" (10mm)
Construction	High-grade cold rolled steel
Model Number	MPFU-M44U
Color	Black
Warranty	Limited lifetime
Product Weight	3.1lb (1.4kg)

Ultra-flat mount for 26" to 55" flat panel displays. Super slim universal design holds displays only .39" (10mm) from wall. A perfect match for today's slim TVs. Quick and secure "hook and click" installation with built-in kickstand feature that allows easy access for wiring.

***Caution:** This mount is designed exclusively for ultra-flat TV's and places the display extremely close to the wall. Please refer to your TV's owner's manual for ventilation requirements for your particular television. Use of spacers may be required for proper ventilation.

