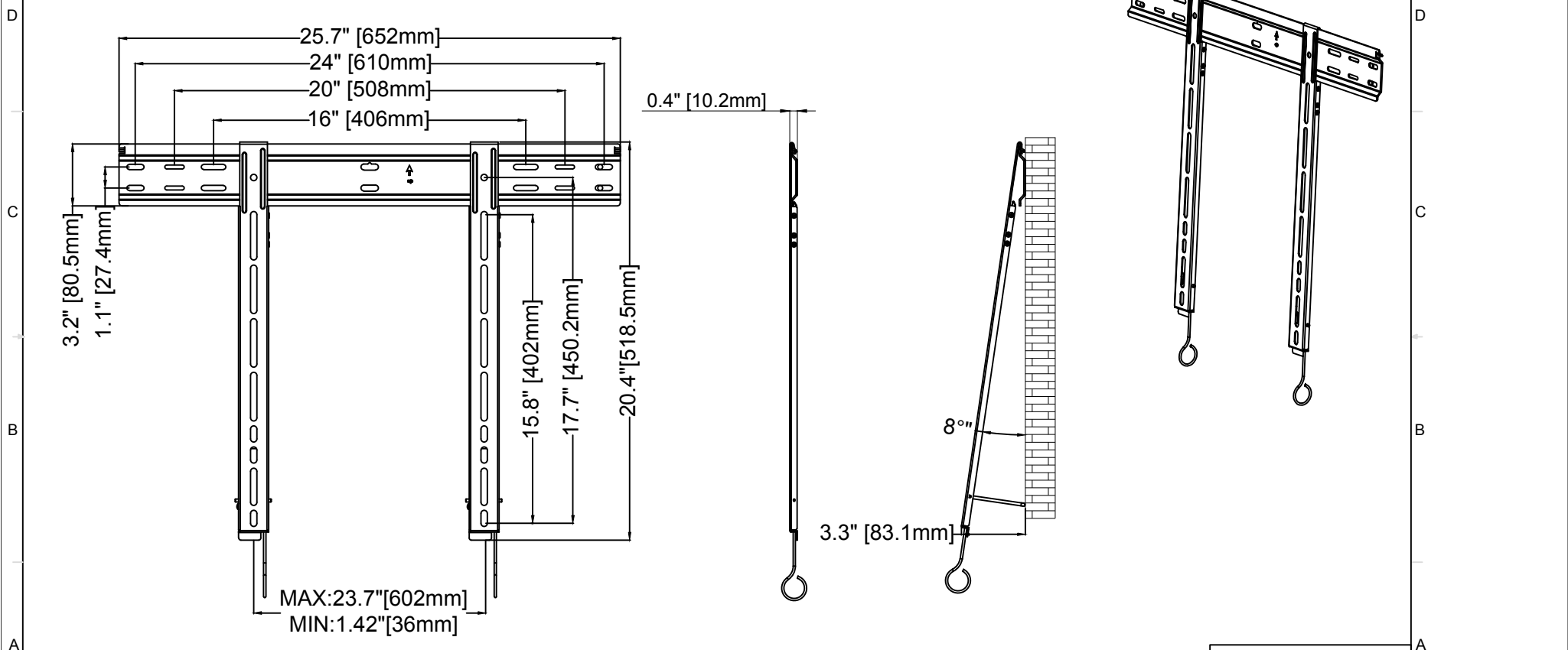


1 2 3 4 5 6 7 8

Maximum load rating: 100 lbs



THE INFORMATION CONTAINED IN THIS DRAWING IS THE SOLE PROPERTY OF MUSTANG AV. ANY REPRODUCTION IN PART OR AS A WHOLE WITHOUT THE WRITTEN PERMISSION MUSTANG AV IS PROHIBITED

MUSTANG AV

PRODUCT ORDER NUMBER: **MPFU-L64U**
 PHONE: **1-866-395-0370**

Scale=1:1

MUSTANG AV www.mustangav.com	
TITLE:	MPFU-L64U
DWG. No.	MPFU-L64U

1 2 3 4 5 6 7 8