

1

2

3

4

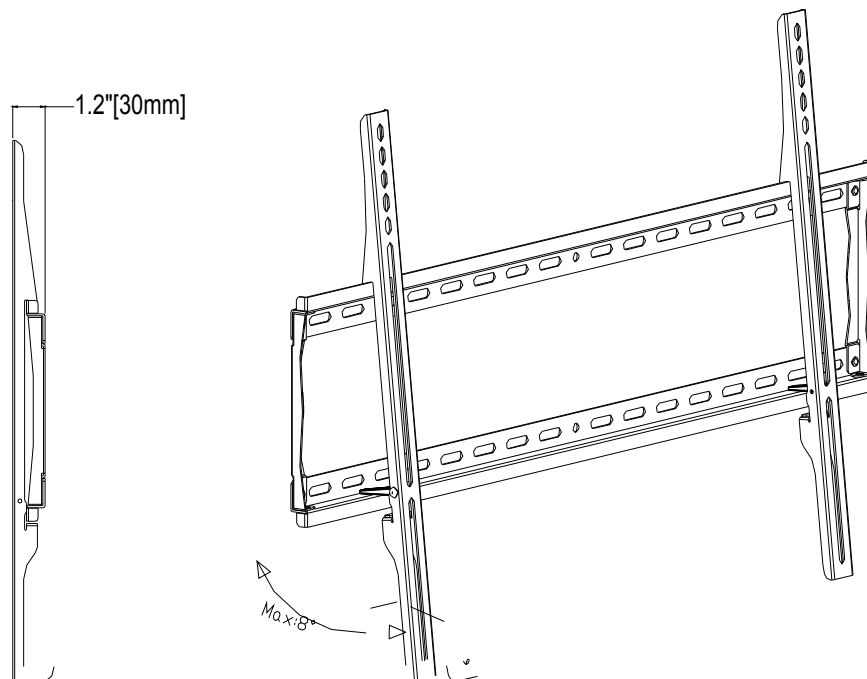
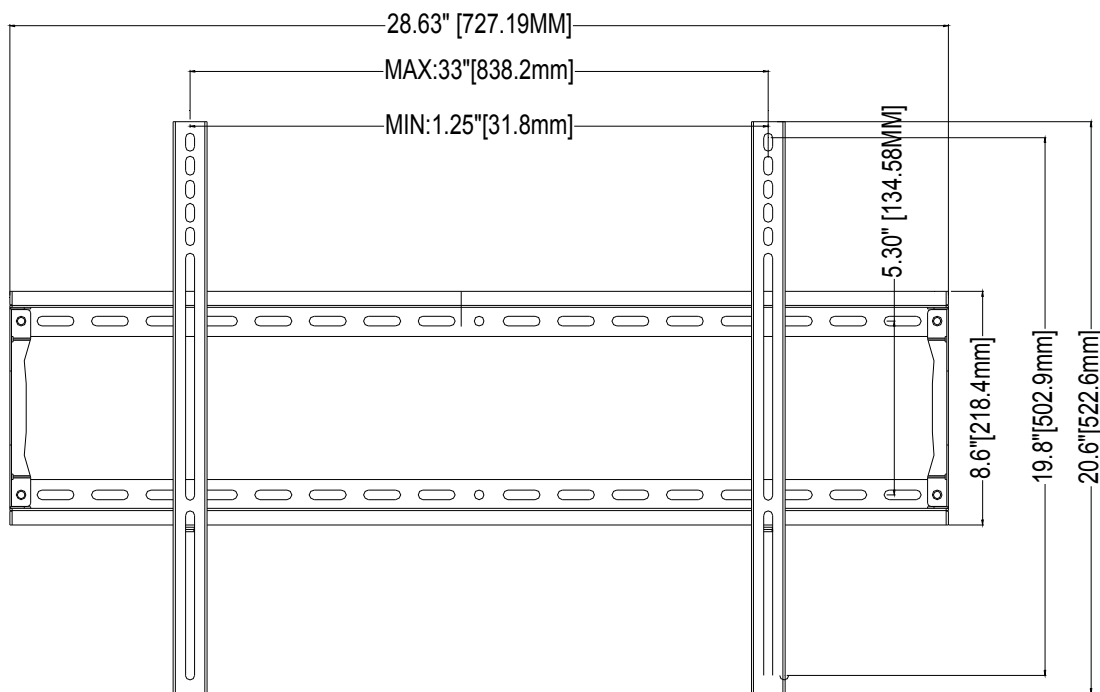
5

6

7

8

Maximum load rating: 200 lbs



THE INFORMATION CONTAINED IN THIS DRAWING IS THE SOLE PROPERTY OF MUSTANG V. ANY REPRODUCTION IN PART OR AS A WHOLE WITHOUT THE WRITTEN PERMISSION OF MUSTANG AV IS PROHIBITED



MUSTANG AV

PRODUCT ORDER NUMBER: **MPF-X85U**

PHONE: **1-866-395-0370**

Scale=1:1

MUSTANG AV
www.mustangav.com

TITLE: **MPF-X85U**

SIZE: **B**
DWG. NO. **MPF-X85U**