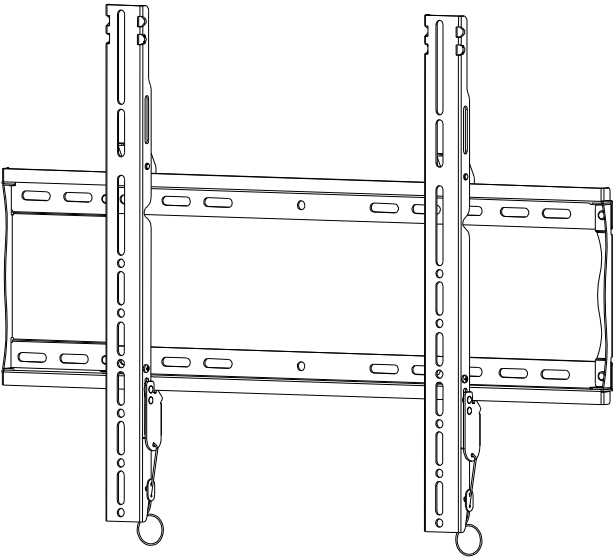
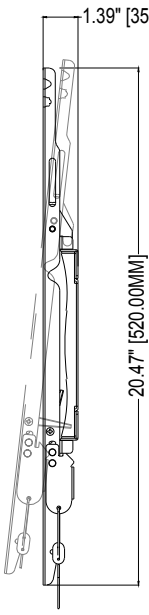
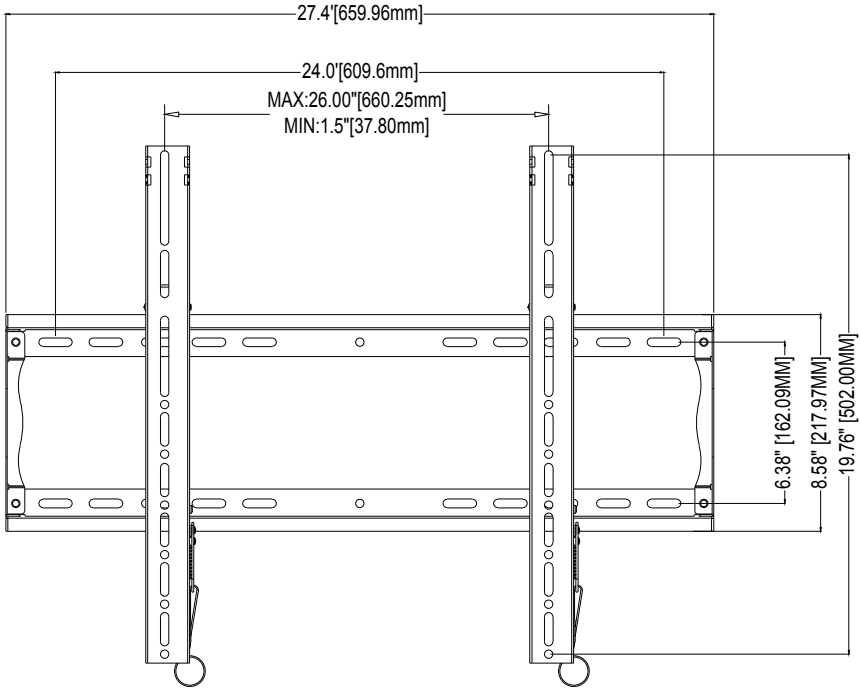


Maximum load rating: 200 lbs



THE INFORMATION CONTAINED IN THIS DRAWING IS THE SOLE PROPERTY OF MUSTANG AV. ANY REPRODUCTION IN PART OR AS A WHOLE WITHOUT THE WRITTEN PERMISSION OF MUSTANG AV IS PROHIBITED



MUSTANG AV

PRODUCT ORDER NUMBER: MPF-L65UA

PHONE: 1-866-395-0370

Scale=1:1

Mustang AV www.mustangav.com	
TITLE:	MPF-L65UA
SIZE B	MPF-L65UA