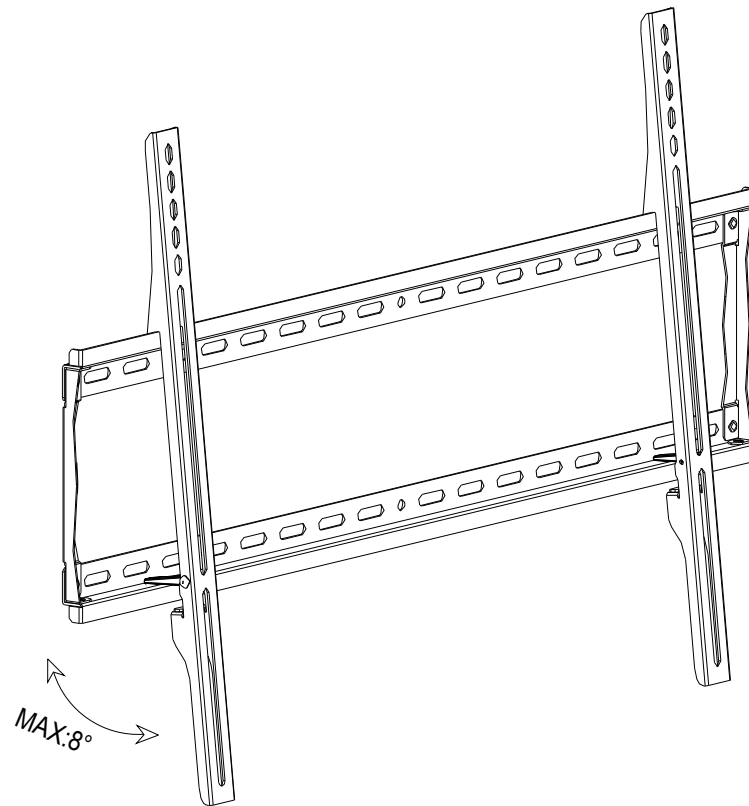
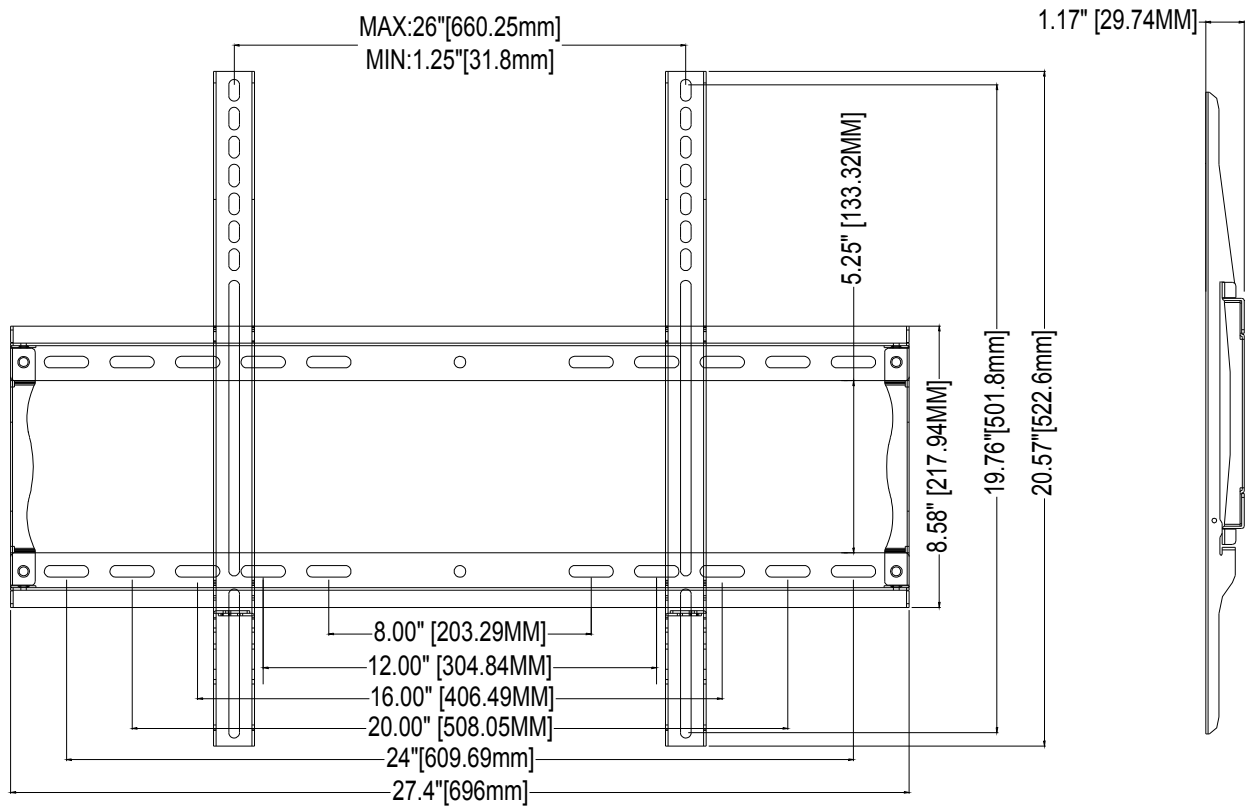


Maximum load rating: 200 lbs



THE INFORMATION CONTAINED IN THIS DRAWING IS THE SOLE PROPERTY OF MUSTANG AV. ANY REPRODUCTION IN PART OR AS A WHOLE WITHOUT THE WRITTEN PERMISSION OF MUSTANG AV IS PROHIBITED



MUSTANG AV

PRODUCT ORDER NUMBER: **MPF-L65U**

PHONE: **1-866-395-0370**

Scale=1:1

MUSTANG AV  
www.mustangav.com

TITLE: **MPF-L65U**

SIZE: B  
DWG. NO. **MPF-L65U**